



Manufacturer:
Amphenol Fiber Optic Products

Product Name:
Amphenol Black T-Style Dust Cap with Slit and Tether for SMA Connector

Manufacturer Part Number:
905-5173-12



▶ [Click here for more details on the Amphenol Black T-Style Dust Cap with Slit and Tether for SMA Connector](#)

SMA Dust Cap

Protects optical surfaces from dust and contaminants, ensuring optimal system performance

Available with optional tethers, chains, and custom logos for added convenience

Medical-grade options with slit design allow for sterilization, including ETO sterilization applications



Features and Benefits:

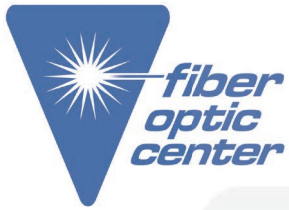
- ▶ SMA Dust Caps fit securely over connectors to protect optical surfaces from dust and contaminants, preserving system performance and light transmission.
- ▶ Optional features include tether loops or chains for convenience, and a variety of color choices.
- ▶ The slit design on the cap allows for sterilization while maintaining protection from dust!
- ▶ Standard caps feature the Amphenol logo, but custom logos are available for larger orders.
- ▶ For medical applications involving ETO sterilization, be sure to specify slit dust caps on the sales order.
- ▶ Medical Grade Material available on some models as indicated.



Contact the professionals at Fiber Optic Center for a quote or to get more details.

23 Centre Street • New Bedford, MA 02740 USA • focenter.com • 508-992-6464 • (800) 473-4237 • sales@focenter.com

Product specifications and data are subject to change without notice. FOC last update 3/4/2026.



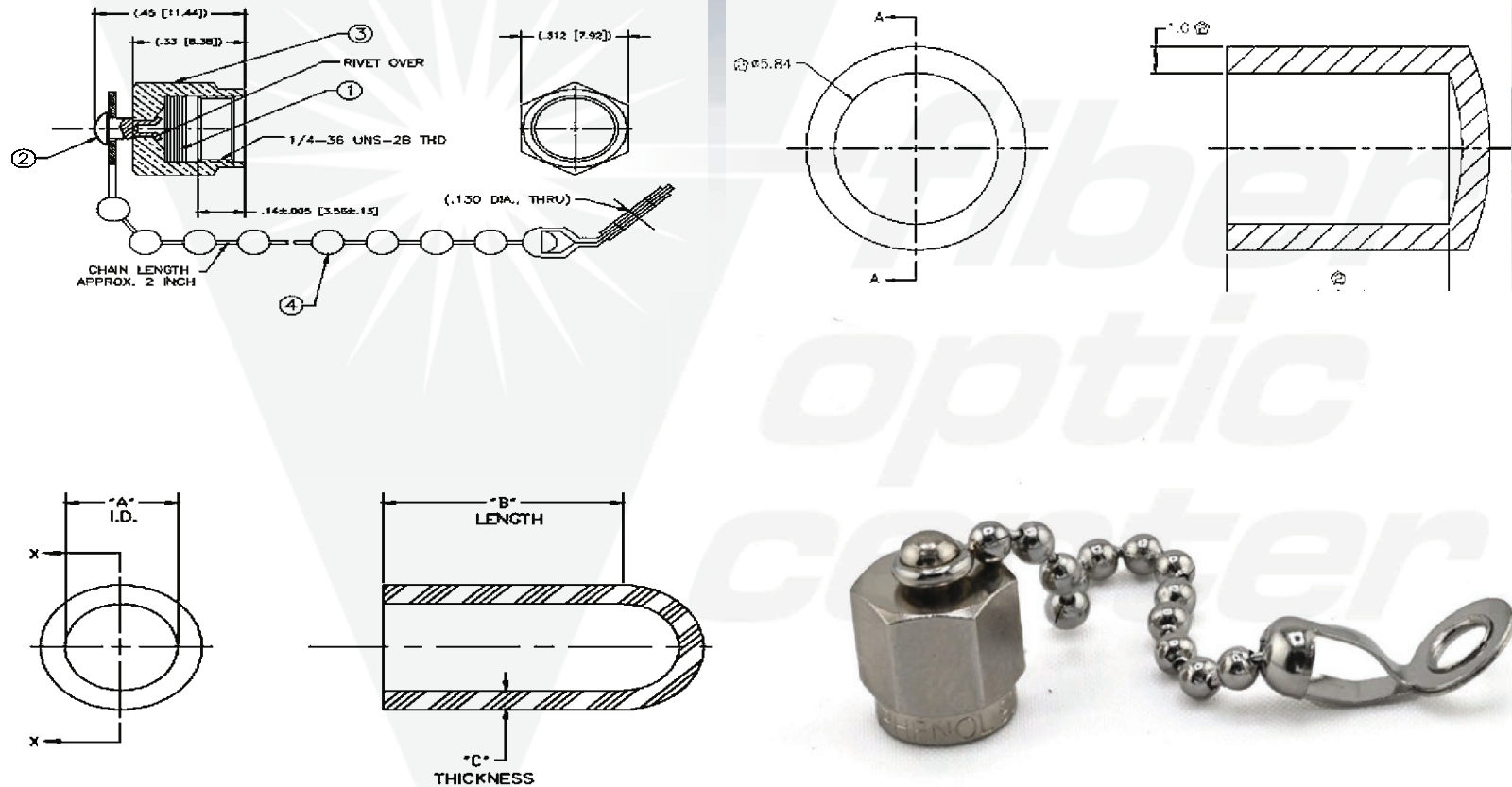
Manufacturer:
Amphenol Fiber Optic Products

Product Name:
Amphenol Black T-Style Dust Cap with Slit and Tether for SMA Connector

Manufacturer Part Number:
905-5173-12



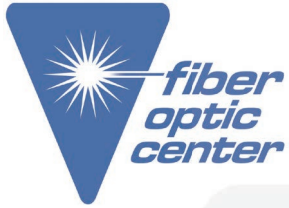
▶ [Click here for more details on the Amphenol Black T-Style Dust Cap with Slit and Tether for SMA Connector](#)



Contact the professionals at Fiber Optic Center for a quote or to get more details.

23 Centre Street • New Bedford, MA 02740 USA • focenter.com • 508-992-6464 • (800) 473-4237 • sales@focenter.com

Product specifications and data are subject to change without notice. FOC last update 3/4/2026.



Manufacturer:
Amphenol Fiber Optic Products

Product Name:
Amphenol Black T-Style Dust Cap with Slit and Tether for SMA Connector

Manufacturer Part Number:
905-5173-12



▶ [Click here for more details on the Amphenol Black T-Style Dust Cap with Slit and Tether for SMA Connector](#)

SMA Dust Cap

905-5173-01 Series

Part Number	Description	Cap Color	Tether Loop	Cap Slit	Cap Logo	Med Material
905-5173-01-MD	Dust Cap	Black	None	Yes	No	Yes



905-5173-01-MD
CAP, DUST, NO TETHER, YES SLIT, NO LOGO, BLACK

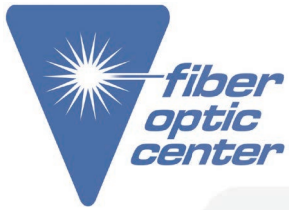
905-5173-02 Series

Part Number	Description	Cap Color	Tether Loop	Cap Slit	Cap Logo	Med Material
905-5173-02-MD	Dust Cap	Black	None	No	No	Yes

Contact the professionals at Fiber Optic Center for a quote or to get more details.

23 Centre Street • New Bedford, MA 02740 USA • focenter.com • 508-992-6464 • (800) 473-4237 • sales@focenter.com

Product specifications and data are subject to change without notice. FOC last update 3/4/2026.



Manufacturer:
Amphenol Fiber Optic Products

Product Name:
Amphenol Black T-Style Dust Cap with Slit and Tether for SMA Connector

Manufacturer Part Number:
905-5173-12



▶ [Click here for more details on the Amphenol Black T-Style Dust Cap with Slit and Tether for SMA Connector](#)

905-5173-12 Series

Part Number	Description	Cap Color	Tether Loop	Cap Slit	Cap Logo	Med Material
905-5173-12-MD	Dust Cap	Black	Yes	Yes	No	No



905-5173-12
CAP, DUST, YES TETHER, YES SLIT, NO LOGO, BLACK

Meets QA Standards:

REACH 240 Compliant
RoHS Certificate of Compliance



Contact the professionals at Fiber Optic Center for a quote or to get more details.

23 Centre Street • New Bedford, MA 02740 USA • focenter.com • 508-992-6464 • (800) 473-4237 • sales@focenter.com

Product specifications and data are subject to change without notice. FOC last update 3/4/2026.