



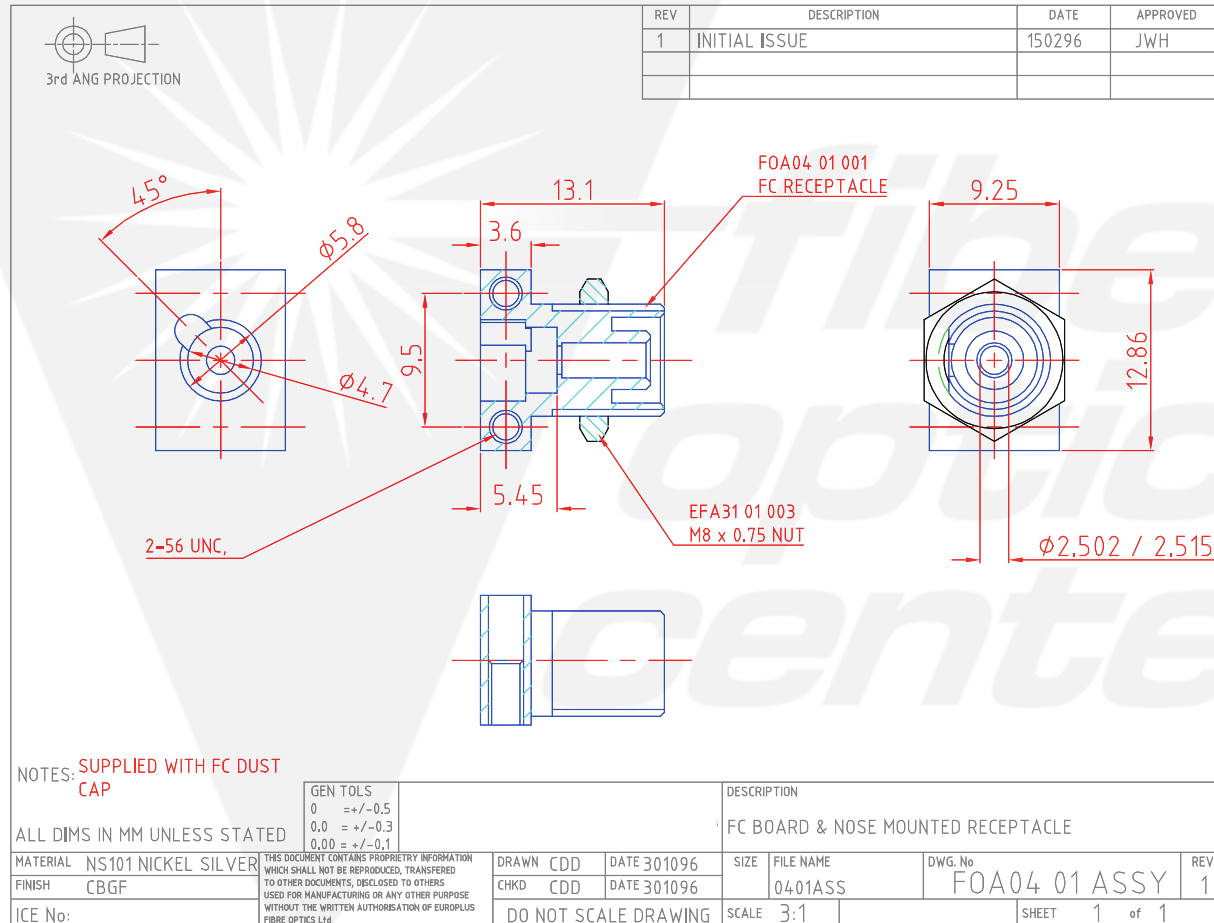
**Manufacturer:**  
CMG Technologies

**Product Name:**  
CMG FC SM Board Mount Receptacle

**Manufacturer Part Number:**  
FOA04 06 ASSY



▶ Click here for more details on the CMG FC SM Board Mount Receptacle



Contact the professionals at Fiber Optic Center for a quote or to get more details.

23 Centre Street • New Bedford, MA 02740 USA • [focenter.com](http://focenter.com) • 508-992-6464 • (800) 473-4237 • [sales@focenter.com](mailto:sales@focenter.com)