

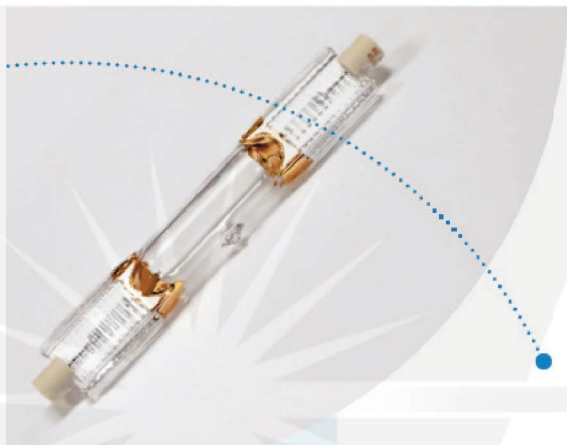


Manufacturer:
Dymax

Product Name:
Dymax 2000-EC & 5000-EC UV Light Bulb - Visible

Manufacturer Part Number:
36658

▶ [Click here for more details on the Dymax 2000-EC & 5000-EC UV Light Bulb - Visible](#)



400W Bulb - Visible

- Compatible with Dymax EC, ECE, and Porta-Ray® flood systems

Also compatible with legacy systems, including the BondBox, PC-2, PC-5, ADAC CureZone, ADAC CureZone 2, ADAC CureZone 2HO, PC-series, and AS-series

- Ideal for use with plastics that yellow from UV

The curing bulb is a key component in a light-curing flood lamp system. Dymax curing bulbs maximize curing intensity while minimizing intensity degradation over time, resulting in fewer bulb changes as well as lower operating costs. Visible bulbs are ideal for use with plastics that yellow from UV. They are compatible with Dymax EC and ECE-series flood lamps.

Specifications*	
Part Number	36658
Lamp Current	2A
Lamp Voltage	100 V (±10V)
Lamp Wattage	175W
Line Voltage	230V
Ballast	042-22.2-3/14 Fa. M+C Choke
Ignitor	Z6 4.5 SE 600 Fa. M+C
Cooling	Air
Operating Position	Horizontal
Body Temperature	650°C - 950°C
Sealing Temperature	<300°C
Ignition Delay	30s
Useful Life	1,500 Hours
Intensity Degradation	≤ 20% at 400-500 nm after 1,000 hours - based on 20 hours value
Power Switching	5.5h / 0.5h (on/off)

* All data is based on average values, which have been achieved upon normal conditions. Due to technical and/or physical reasons, individual lamp performance may vary ± 10%.

Contact the professionals at Fiber Optic Center for a quote or to get more details.

focenter.com • 508-992-6464 | (800) 473-4237 • sales@focenter.com

23 Centre Street • New Bedford, MA 02740 USA

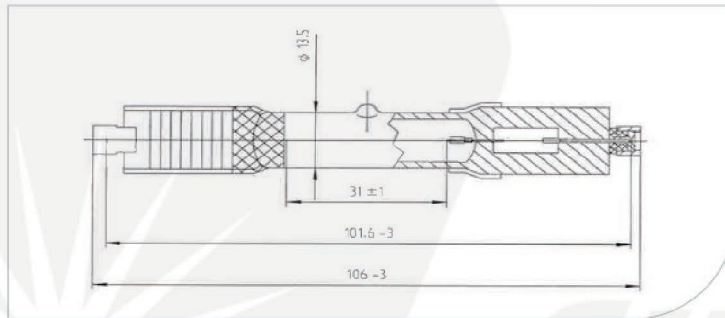


Manufacturer:
Dymax

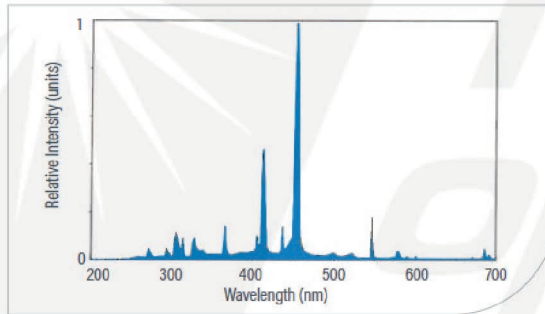
Product Name:
Dymax 2000-EC & 5000-EC UV Light Bulb - Visible

Manufacturer Part Number:
36658

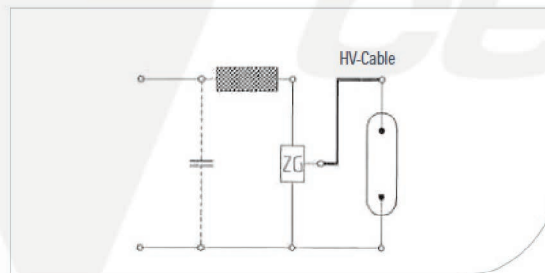
▶ [Click here for more details on the Dymax 2000-EC & 5000-EC UV Light Bulb - Visible](#)



Mercury Bulb Dimensions



Standardized Spectrum



Circuit Diagram

©2020 Dymax Corporation. All rights reserved. All trademarks in this guide, except where noted, are the property of, or used under license by, Dymax Corporation, U.S.A.

Please note that most light-curing system applications are unique. Dymax does not warrant the fitness of the product for the intended application.

Dymax recommends that any intended application be

evaluated and tested by the user to ensure that desired performance criteria are satisfied.

Dymax reserves

the right to change drawings and technical data in this bulletin. The latest updated version of the bulletin is prevailing. It is within the responsibility of the customer to check whether the latest updated version of the bulletin is available.

PB084 8/25/2020

Contact the professionals at Fiber Optic Center for a quote or to get more details.

focenter.com • 508-992-6464 | (800) 473-4237 • sales@focenter.com

23 Centre Street • New Bedford, MA 02740 USA

Product specifications and data are subject to change without notice. FOC last update 3/10/2026.