



**Manufacturer:**  
Dymax

**Product Name:**  
T20000 Micro-Dot™ Hand-held Epoxy Dispenser - Thumb Actuated

**Manufacturer Part Number:**  
T20000



▶ [Click here for more details on the T20000 Micro-Dot™ Hand-held Epoxy Dispenser - Thumb Actuated](#)



## Micro-Dot™ Manual Syringe Dispenser

- Simple, manual operation that requires no electric or air
- Positive-displacement dispensing with adjustable stroke
- Control over dispense volume, assuring an accurate dispense despite viscosity and syringe level changes
- Dispenses a wide range of low-to-high viscosity materials
- Portable; can be used anytime, anywhere
- Utilizes disposable syringe as fluid reservoir for easy product changeover
- Dispensers design eliminates the risk of material contamination during dispense
- Compatible with 3, 5, and 10 mL machine-ready syringes
- Available with thumb or lever actuation

The Micro-Dot™ portable syringe dispenser offers positive-displacement accuracy for dispense volumes as small as 0.0003 mL. Once a volume is set it can be repeated with accuracy. This syringe dispenser utilizes a pre-packaged disposable syringe as its fluid reservoir, preventing any contact between the fluids and the dispenser eliminating fluid contamination during dispense. With the proper dispense tip selection, the Micro-Dot is suitable for dispensing a wide range of low-to-high viscosity fluids including pastes, lubricants, adhesives, sealants, and more.



Lever Activated Micro-Dot Syringe Dispenser (T20010)



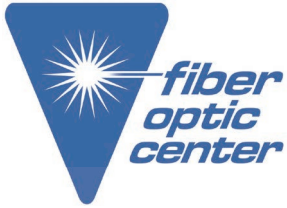
Thumb Activated Micro-Dot Syringe Dispenser (T20000)

**Contact the professionals at Fiber Optic Center for a quote or to get more details.**

[focenter.com](http://focenter.com) • 508-992-6464 | (800) 473-4237 • [sales@focenter.com](mailto:sales@focenter.com)

23 Centre Street • New Bedford, MA 02740 USA

Product specifications and data are subject to change without notice. FOC last update 3/17/2026.



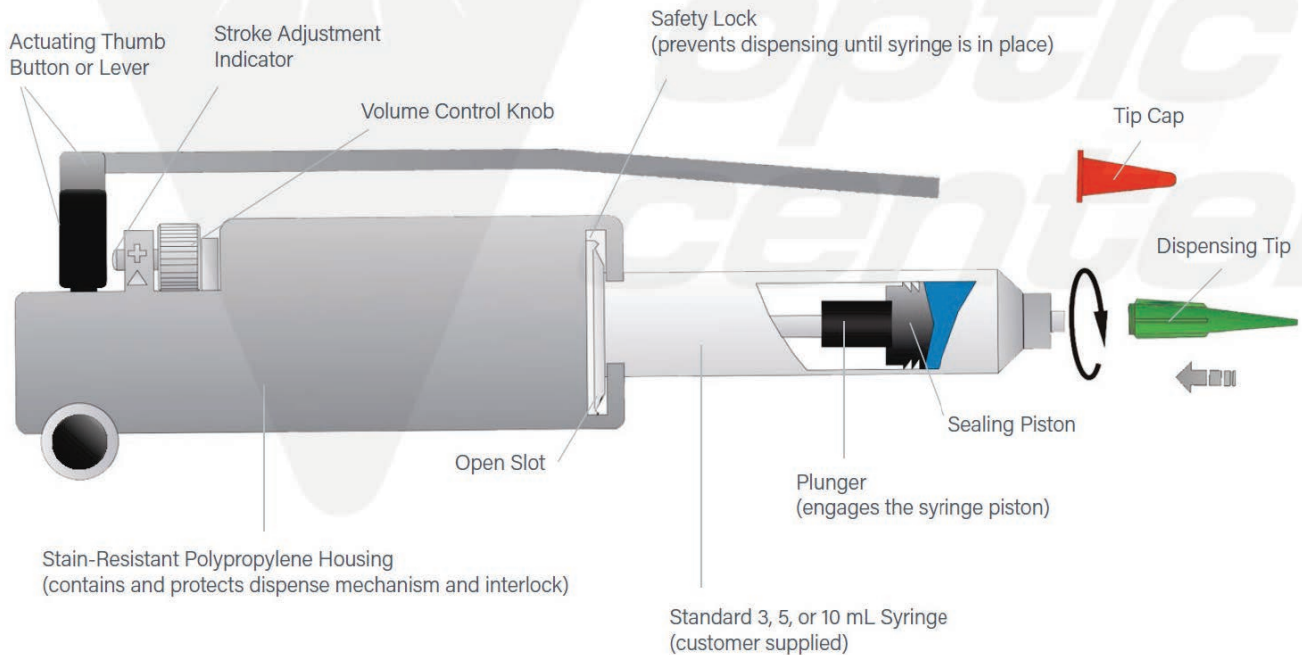
**Manufacturer:**  
Dymax

**Product Name:**  
T20000 Micro-Dot™ Hand-held Epoxy Dispenser - Thumb Actuated

**Manufacturer Part Number:**  
T20000

▶ Click here for more details on the T20000 Micro-Dot™ Hand-held Epoxy Dispenser - Thumb Actuated

Specifications	
Part Number	T20000 Thumb Actuated T20010 Lever Actuated
Dispenser Type	Manual, positive displacement syringe dispenser
Activation	Manual by lever or thumb actuator
Shot Size	Minimum: 0.0003 mL (400 cP material with 25 gauge taper tip) Maximum: 0.170 mL (400 cP material with 14 gauge taper tip)
Dimensions (L x W x H)	4.5" x 0.87" x 2.13" (11.4 cm x 2.2 cm x 5.4 cm)
Weight	2.8 oz. (81.3 g)
Unit Warranty	1 year from purchase



Contact the professionals at Fiber Optic Center for a quote or to get more details.

[focenter.com](http://focenter.com) • 508-992-6464 | (800) 473-4237 • [sales@focenter.com](mailto:sales@focenter.com)  
23 Centre Street • New Bedford, MA 02740 USA

Product specifications and data are subject to change without notice. FOC last update 3/17/2026.