

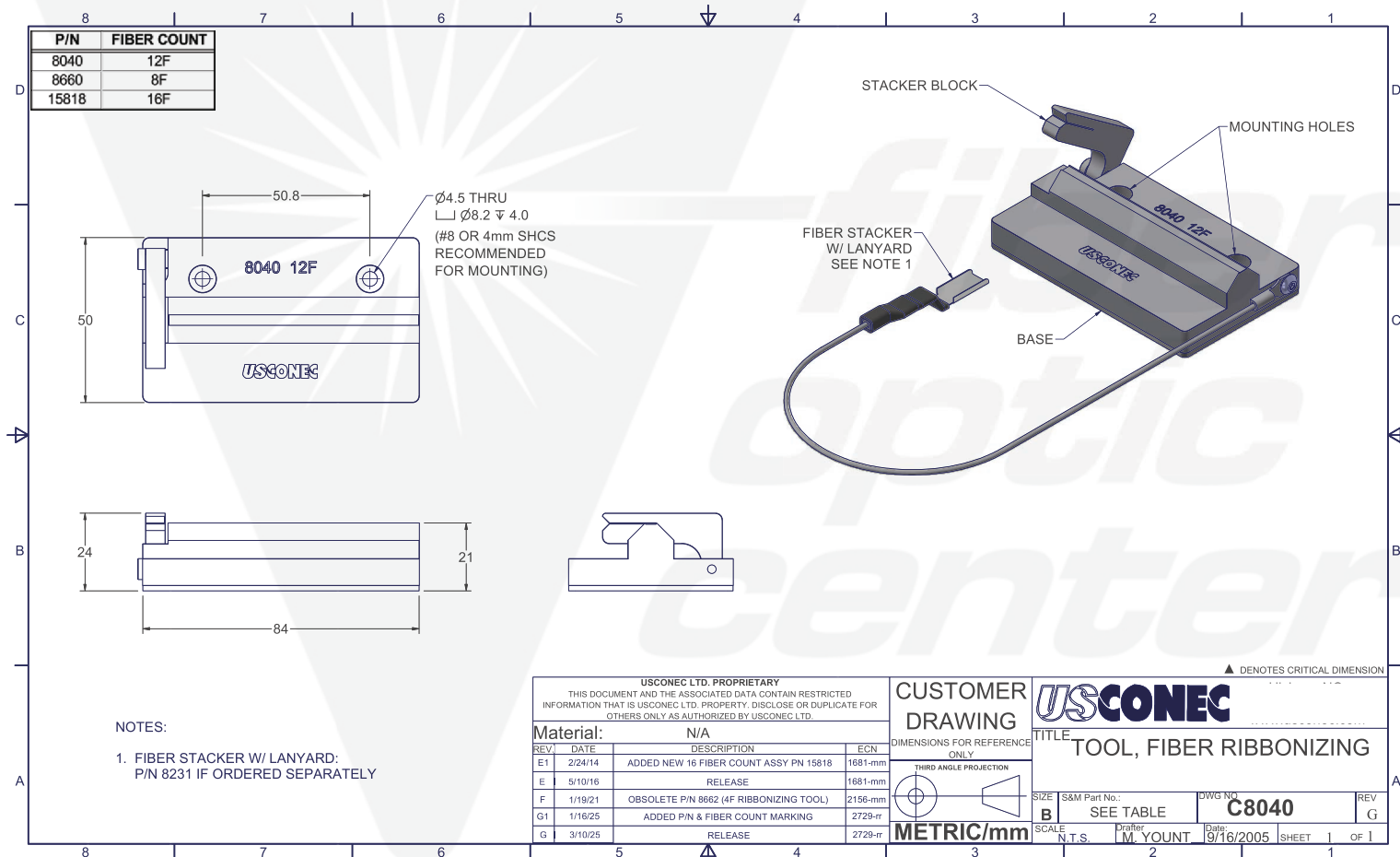
Manufacturer:
US Conec

Product Name:
US Conec 12-Fiber Ribbonizer Tool

Manufacturer Part Number:
8040



▶ Click here for more details on the US Conec 12-Fiber Ribbonizer Tool



Contact the professionals at Fiber Optic Center for a quote or to get more details.

23 Centre Street • New Bedford, MA 02740 USA • focenter.com • 508-992-6464 • (800) 473-4237 • sales@focenter.com

Product specifications and data are subject to change without notice. FOC last update 12/30/2025.