

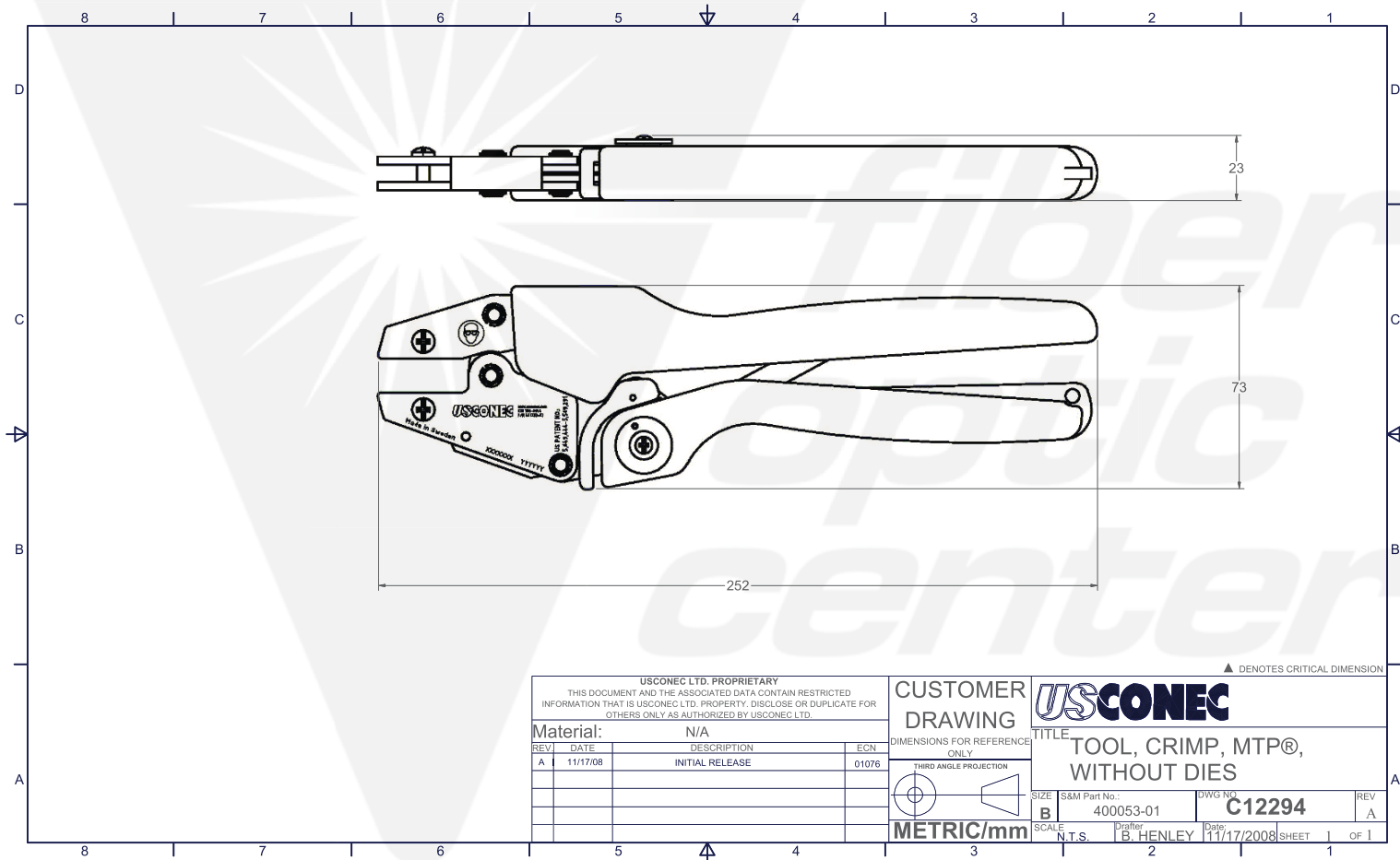
Manufacturer:
US Conec

Product Name:
US Conec Crimp Tool, Frame Only

Manufacturer Part Number:
400053-01



▶ Click here for more details on the US Conec Crimp Tool, Frame Only



Contact the professionals at Fiber Optic Center for a quote or to get more details.

23 Centre Street • New Bedford, MA 02740 USA • focenter.com • 508-992-6464 • (800) 473-4237 • sales@focenter.com