

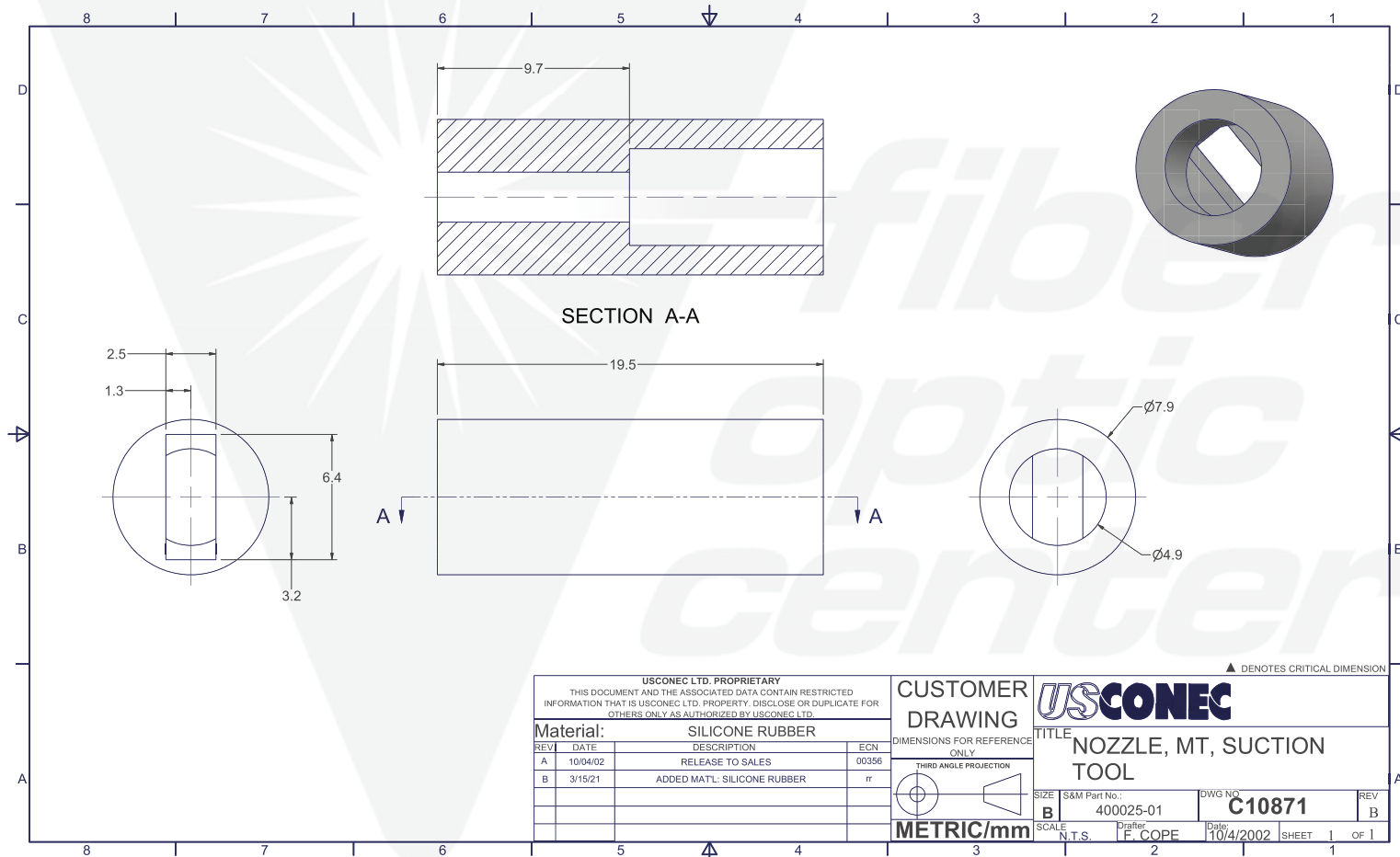
**Manufacturer:**  
US Conec

**Product Name:**  
US Conec Vacuum Pump Kit for MT/MTP® Epoxy Termination – 220 V

**Manufacturer Part Number:**  
18490-220V



▶ Click here for more details on the US Conec Vacuum Pump Kit for MT/MTP® Epoxy Termination – 220 V



**Contact the professionals at Fiber Optic Center for a quote or to get more details.**

23 Centre Street • New Bedford, MA 02740 USA • [focenter.com](http://focenter.com) • 508-992-6464 • (800) 473-4237 • [sales@focenter.com](mailto:sales@focenter.com)

*Product specifications and data are subject to change without notice. FOC last update 12/30/2025.*