



Manufacturer:
VIAVI

Product Name:
Viavi CleanBlast MPX Bulkhead Tip

Manufacturer Part Number:
FCLT-MPX

▶ [Click here for more details on the Viavi CleanBlast MPX Bulkhead Tip](#)

VIAVI CleanBlastPRO

Next-generation fiber optic end-face cleaning system

CleanBlastPRO™ is the latest automated fiber end-face cleaning system from VIAVI Solutions. Based on the original concept from its predecessor, the CleanBlastPRO has been redesigned from the ground up to deliver all the benefits of the original CleanBlast while adding improvements where they matter most. The result is a system that component and connectivity manufacturers and integrators can easily deploy throughout their production facilities to ensure clean fiber connectors.

Equipped with an internal solvent tank, air filtration system, cleaning handset, 6-foot umbilical and an LCD screen, CleanBlastPRO gives users an intuitive and automated fiber connector cleaning system that can be easily deployed. Once the CleanBlastPRO is attached to an air source, the user can clean a wide variety of fiber end faces.



Key Benefits

- Ensure clean fiber end-faces for every connector type
- Streamline cleaning workflows in production environments with fast cleaning cycles
- Automate connector cleaning at the push of a button
- Remove, rather than spread or embed, loose debris from end faces
- Reduce costly consumption of cleaning materials (cloths, clickers, swabs, etc.)
- Utilizes 3M Novec™ 72DA, the industry's most trusted and effective solvent for cleaning fiber end faces

Applications

- Optical component production environments
- Cable assembly contract manufacturing
- Optical system assembly

Key Features

- Uses a precise non-contact air-solvent-air sequence to blast and remove contamination particles
- Comprehensive selection of precision cleaning tips for most fiber connector types
- High performance air filter system
- Hassle-free solvent management
- Additional connections for secondary air tank, foot activation pedal, backplane handset extension

Contact the professionals at Fiber Optic Center for a quote or to get more details.

focenter.com • 508-992-6464 | (800) 473-4237 • sales@focenter.com

23 Centre Street • New Bedford, MA 02740 USA

Product specifications and data are subject to change without notice. FOC last update 5/20/2026.



Manufacturer:
VIAVI

Product Name:
Viavi CleanBlast MPX Bulkhead Tip

Manufacturer Part Number:
FCLT-MPX

▶ [Click here for more details on the Viavi CleanBlast MPX Bulkhead Tip](#)

Streamline connector cleaning workflow with a repeatable automated process

CleanBlastPRO gives component and connector manufacturers control of the cleaning process throughout their entire production facilities. This automated system manages the fluid and air delivery to ensure fast and repeatable cleaning at the press of a button.

- Dedicated cleaning profiles are optimized for different connector types. Each profile delivers a series of precision air, solvent, and vacuum steps that are fine-tuned to the millisecond for optimal cleaning performance.
- CleanBlastPRO monitors the status so that you can proactively ensure it is properly maintained.
- You're never surprised of the system's status, so it won't take your production line down.



Figure 1a: Select Profile

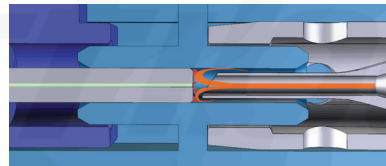


Figure 1b: Optimized non-contact cleaning procedure

Handset and Cleaning Tips

- Front facing light provides optimized visibility when inserting
- Two configurable buttons (top and bottom) to activate the light and initiate the cleaning process
- An optional extension handle is also available for use with backplane applications
- Additional connections for foot activation pedal, backplane handset extension, USB3 input for device updates
- Features a comprehensive selection of precision cleaning tips for most fiber connector types, male (patch cord), female (bulkhead), PC and APC – including SC, LC, FC, ST, E2000, MPO, MPX, MT, SMA, HMFOC, SN, CS and more
- With backwards compatibility to the large selection of FCLT series tips, existing CleanBlast users can leverage their existing investment of cleaning tips
- For a complete list of tips for the CleanBlastPRO see the [Fiber Cleaning Tips and Adapters Selection Guide](#)



Figure 2: Examples of FCLT Series Cleaning Tips

Contact the professionals at Fiber Optic Center for a quote or to get more details.

focenter.com • 508-992-6464 | (800) 473-4237 • sales@focenter.com

23 Centre Street • New Bedford, MA 02740 USA

Product specifications and data are subject to change without notice. FOC last update 5/20/2026.



Manufacturer:
VIAVI

Product Name:
Viavi CleanBlast MPX Bulkhead Tip

Manufacturer Part Number:
FCLT-MPX

▶ [Click here for more details on the Viavi CleanBlast MPX Bulkhead Tip](#)

New hassle-free management features make deployment and operation easy

The CleanBlastPRO controls are intuitive so that users can easily manage their cleaning profiles and receive information and notifications to ensure system care. With multiple on-board sensors, CleanBlastPRO actively monitors the system performance, ensuring that users are proactively informed of any maintenance needs, and can properly care for the system and plan ahead without guesswork, speculation or unwanted production line downtime.



Figure 3: Front panel indicators and controls

- On-board LCD screen provides key user information for all operational and maintenance needs, including managing cleaning profiles, refilling, gathering diagnostic information and upgrading
 - Colored LED indicators inform users when system is ready for use or in need of maintenance.
 - Fuel gauge indicates amount of solvent available
- All interface connections on the CleanBlastPRO are standardized to accept 3rd party connectivity; including the following:

- 1/4" input on the base unit (for foot-pedal activation)
- 3.5 mm input on the handset (for backplane handset extension)
- Camera mount attachments on handset (for single-hand operation)
- Standard 12VDC/2A Power Supply
- USB3 input for device updates



Figure 4: Solvent refill

- Spill-proof internal solvent tank ensures easy transport across the room or across the globe, even with a full solvent tank
- Automatic filter drain prevents moisture from collecting in filters in humid environments
- Automatic drain valves in air-filter canisters prevent condensation in the air supply from contaminating the system.
- Active fluid vapor vacuum keeps fumes away from operator.
- Front-facing ports enable easy solvent refilling of the entire tank in <2 minutes
- Sealed refill system prevents external contaminants from entering the filling system. This prevents cleaning system from distributing contaminants onto the connector
- System automatically ensures sufficient refill without overfilling

Contact the professionals at Fiber Optic Center for a quote or to get more details.

focenter.com • 508-992-6464 | (800) 473-4237 • sales@focenter.com

23 Centre Street • New Bedford, MA 02740 USA

Product specifications and data are subject to change without notice. FOC last update 5/20/2026.



Manufacturer:
VIAVI

Product Name:
Viavi CleanBlast MPX Bulkhead Tip

Manufacturer Part Number:
FCLT-MPX

▶ [Click here for more details on the Viavi CleanBlast MPX Bulkhead Tip](#)

Specifications

| Parameter | Description |
|--------------------------------|---------------------------------------------------------------------------------------------------------------------------------------------|
| Air/Gas Source | Clean, dry air ¹ or nitrogen (N ₂) |
| Air/Gas Pressure | 80 to 140 psi, 100 psi nominal ^{2,3} |
| Air/Gas Inlet | 1/4" Industrial Quick-Disconnect Coupling ⁴ |
| Internal Solvent Tank Capacity | 1 L |
| Input Power | 12V DC, 2A Power Supply (included) ⁵ |
| Power Consumption (Average) | < 12 W |
| Operating temperature | 15 to 30°C (59 to 86°F) |
| Storage temperature | 0 to 40°C (32 to 104°F) |
| Dimensions | 8" x 8" x 13" (H x W x D), 203 mm x 205 mm x 329 mm (H x W x D) |
| Weight | 30 lbs (with full tank), 13.6 kgs |
| Maintenance | Annual filter change recommended Requires two air filters: • One Coarse air filter (FCLP-FA-F2) • One Fine air filter (FCLP-FA-F3) |
| Cleaning Cycle Time | Simplex <1 second Multi-Fiber <1.5 seconds |

¹As per ISO8573 Class 5 -Clean Dry Air. (Oil less than 25mg/m³).

²CleanBlastPRO will continue to operate when pressure is between 50 to 80 psi; however, cleaning might be impaired.

³Pressure relief safety mechanism activates when pressure exceeds 150 psi and resets when air-source connection is removed.

⁴Fitting can be replaced with any 1/4" NPT Male fitting.

⁵Use only the power adapter shipped with the CleanBlastPRO to power the device.

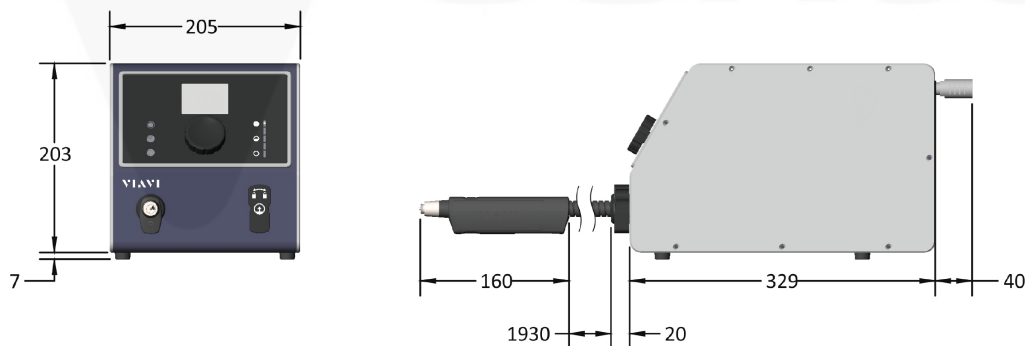


Figure 5: CleanBlastPRO dimensions

Contact the professionals at Fiber Optic Center for a quote or to get more details.

focenter.com • 508-992-6464 | (800) 473-4237 • sales@focenter.com

23 Centre Street • New Bedford, MA 02740 USA

Product specifications and data are subject to change without notice. FOC last update: 5/20/2026.



Manufacturer:
VIAVI

Product Name:
Viavi CleanBlast MPX Bulkhead Tip

Manufacturer Part Number:
FCLT-MPX

▶ [Click here for more details on the Viavi CleanBlast MPX Bulkhead Tip](#)

Ordering Information

| Description | Part Number |
|------------------------------------------------------------------------------|-----------------------------|
| CleanBlastPRO Systems | |
| CleanBlastPRO System with large internal solvent tank, FCLT-U25 cleaning tip | FCL-PRO-L |
| Accessories | |
| Manual Refill Kit for 225 ml Solvent Refill Bottle | FCLP-RCA-2 |
| Auto Refill Kit for 1 Gallon (3.8L) Solvent Refill Bottle | FCLP-RCA-3 |
| Replacement Air Filter for Auto Refill Kit (FCLP-RCA-3), contains 1 filter | FCLP-FA-F1 |
| Small Solvent Refill Bottle, 225 ml* | FCLP-SOL1 |
| Small Solvent Refill Bottle, 6-pack, 225 ml | FCLP-SOL1-6 |
| Large Solvent Refill Bottle, 1 Gallon (3.8L) ** | FCLP-SOL1-XL |
| Replacement Coarse (5 micron) Filter Kit (contains 2 filters) | FCLP-FA-F2 |
| Replacement Fine (0.1 micron) Filter Kit (contains 2 filters) | FCLP-FA-F3 |
| Exhaust Filter Kit | FCLP-FE-01 |
| Adjustable Articulating Camera Clamp | FCLP-CL-01 |
| Cleaning Tips*** | |
| Universal 2.5 mm bulkhead | FCLT-U25 |
| Universal 2.5 mm patch cord mating adapter | FCLT-U25-MA |
| Universal 1.25 mm bulkhead | FCLT-U12 |
| Universal 1.25 mm patch cord mating adapter | FCLT-U12-MA |

* Small (225 ml) solvent refill bottles available from VIAVI or MicroCare
 ** Large (1 Gallon/3.8L) solvent refill bottles available from VIAVI, MicroCare, or 3M
 *** For a complete list of tips for the CleanBlastPRO see the [Fiber Cleaning Tips and Adapters Selection Guide](#)
 Important: CleanBlastPRO is rated for use with 3M Novec 72-DA Engineered Fluid. Use only Novec 72DA solvent from 3M or CleanBlast solvent from MicroCare Corporation (identical formulation to Novec 72DA).

Contact the professionals at Fiber Optic Center for a quote or to get more details.

focenter.com • 508-992-6464 | (800) 473-4237 • sales@focenter.com

23 Centre Street • New Bedford, MA 02740 USA