



RECOGNIZED WORLD LEADER IN FIBER OPTIC TECHNOLOGY  
 QUALITY FIBER COMPONENTS, EQUIPMENT, & SUPPLIES

## Product Data Sheet

Page 1 of 5

### ST® Connectors and Adapters



#### Features & Benefits

- High performance single mode and multimode pre-polished ferrules
- ST compatible bayonet coupling
- Field installable
- Standard crimp and crimpless screw type Kevlar retention
- Variety of ferrule styles: PC, PC+ and Stainless Steel
- Low Insertion Loss:
  - < .34 dB typ. MM
  - < .17 dB typ. MM enhanced
  - < .35 dB typ. MM Stainlesssteel
  - < .15 dB typ. SM
- Variety of connector styles: long boot, short boot, 90 degree boot & 900µm buffered fiber

The ST® series of lightwave connectors are specially designed for distribution applications and are fully compatible with existing ST type hardware. Five connector styles are available in both the multimode and single-mode versions. The screw-on captivation mechanism, in the long boot style, provides excellent Kevlar retention without the expense and inconvenience of crimp tools. If the crimping method of Kevlar® retention is preferred, three options are available. A long boot style is designed to provide superior strain relief while the short boot style is designed for small bend radius applications where space is limited. For sensitive applications where controlled and managed bends are required, the 90° boot is the answer. A boot for 900µm buffered fiber is also available.

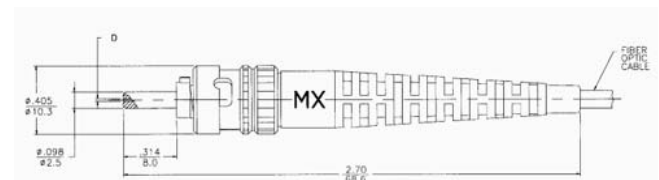
High quality, pre-polished and pre-radiused zirconia ceramic ferrules are combined with the latest engineering polymers and metals to produce the ST connectors. Pre-polished ferrules minimize the polishing times and provide a consistent ferrule endface geometry. When combined with the Molex termination kits and method, the Molex ST connectors produce superior results both in the factory and in the field.

A broad range of ST adapters are available to compliment the connectors. Metallic or polymer versions are available with either the extremely precise zirconia ceramic, the rugged phosphor bronze or the cost effective polymer alignment sleeves.

#### Optical Performance Distribution

Insertion Loss: MM Ferrule, 62.5/125um fiber  
 SM Ferrule, 9/125um fiber

#### ST® Connector Long Boot Style Polymer Body Note: All dimensions in INCHES / mm



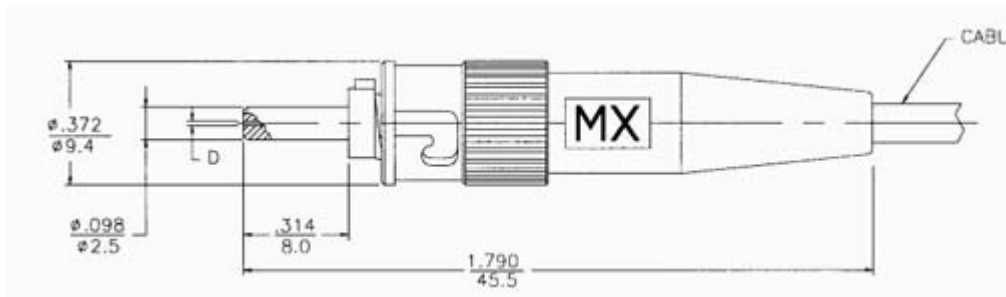
RECOGNIZED WORLD LEADER IN FIBER OPTIC TECHNOLOGY  
 QUALITY FIBER COMPONENTS, EQUIPMENT, & SUPPLIES

## Product Data Sheet

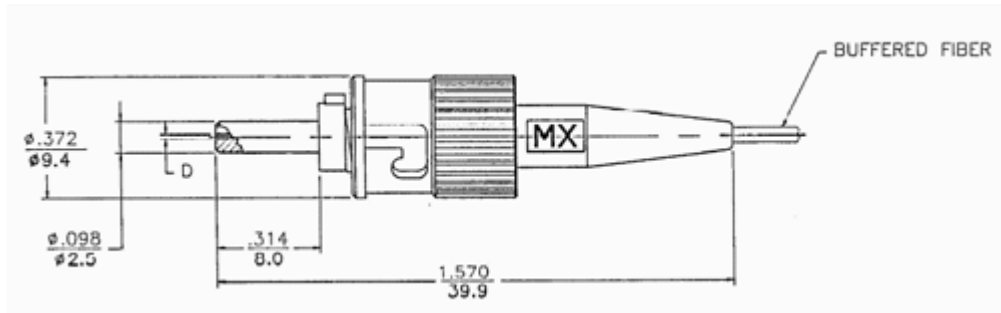
Page 2 of 5

### ST® Connector Short Boot Style Metal Body

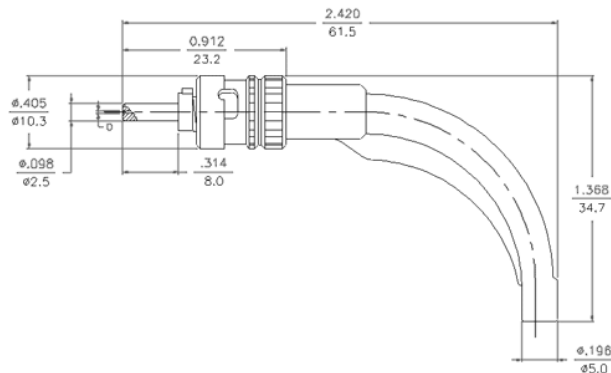
Note: All dimensions in INCHES / mm



### ST® Connector 900 $\mu$ m Boot Style Metal Body



### ST® Connector 900 $\mu$ m Boot Style Metal Body



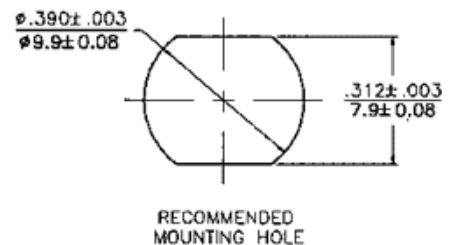
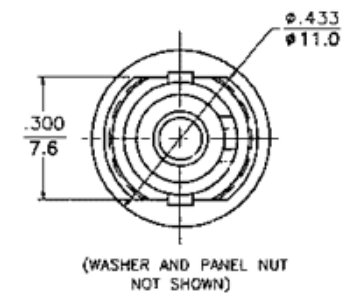
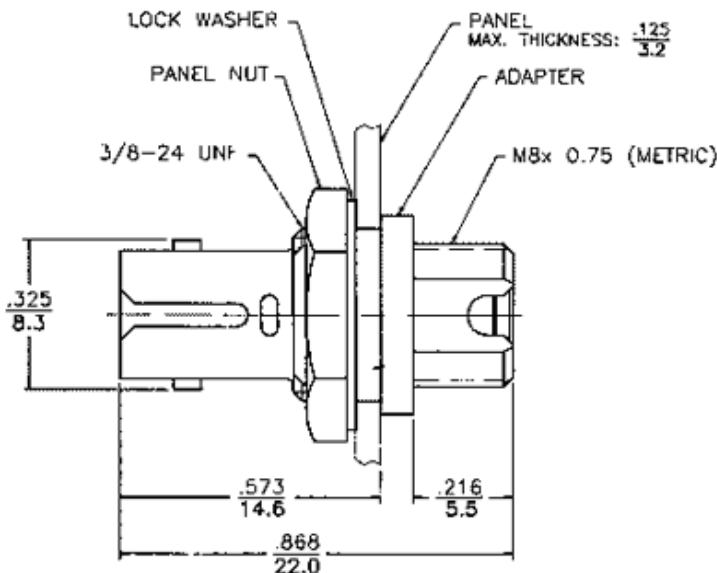
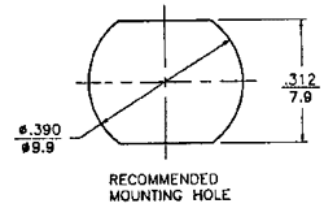
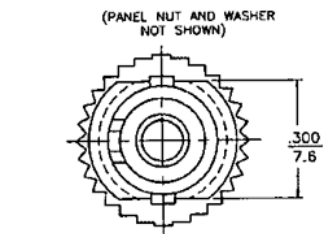
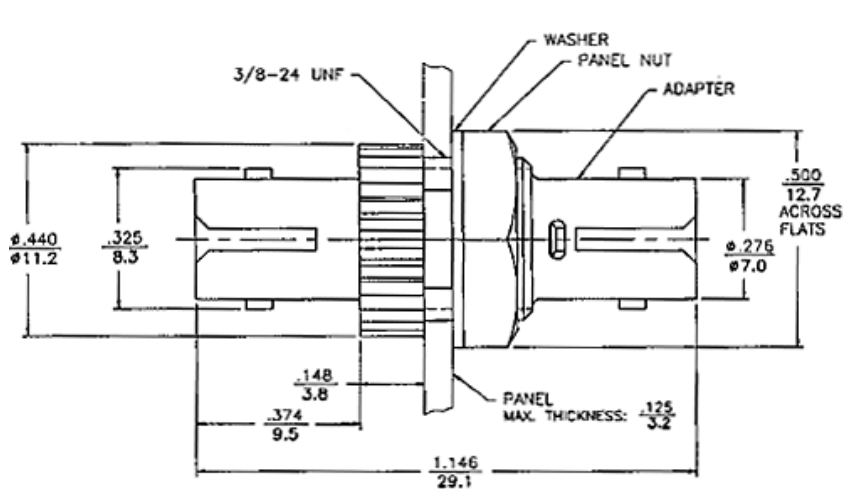
RECOGNIZED WORLD LEADER IN FIBER OPTIC TECHNOLOGY  
 QUALITY FIBER COMPONENTS, EQUIPMENT, & SUPPLIES

## Product Data Sheet

Page 3 of 5

### ST<sup>®</sup> Adapter, Recommended Mounting Hole

Note: All dimensions in INCHES / mm





RECOGNIZED WORLD LEADER IN FIBER OPTIC TECHNOLOGY  
 QUALITY FIBER COMPONENTS, EQUIPMENT, & SUPPLIES

## Product Data Sheet

Page 4 of 5

### Specifications

Characteristics	Units	Min.	Typ.	Max.	Comments
Durability	~dB	--	--	0.1	Per FOTP-21A, 1000 cycles cleaning every 100 cycles
Temperature: Storage	°C	-40	--	+80	May be further limited by cable specifications
Temperature: Operating	°C	-40	--	+80	May be further limited by cable specifications
Thermal Shock	~dB	--	--	0.1	-40°C to +60°C, 10 cycles
Temperature Cycling	~dB	--	--	0.1	-40°C to +80°C, 40 cycles
Humidity Cycling	~dB	--	--	0.1	Per FOTP-5, +60°C at 95% RH for 504 hours
Cable Retention	~dB	--	--	0.2	Per FOTP-6, 40 lb. load without adhesive

### Ordering Information

#### Cable Size 2.4mm or 3.0mm

Order Number by Coupling Nut Polymer	Order Number by Coupling Nut Metal	Mode	Ferrule	Boot	Hole Size "D"
86010-0000	86012-0000	MM	Zirconia PC+	long boot	127 $\mu$ m
86010-0300	86012-0300	MM	Zirconia PC+	long boot crimp	127 $\mu$ m
86010-0200	86012-0200	MM	Zirconia PC+	short boot crimp	127 $\mu$ m
86010-3000	86012-3000	MM enhanced	Zirconia PC	long boot	128 $\mu$ m
86010-3300	86012-3300	MM enhanced	Zirconia PC	long boot crimp	128 $\mu$ m
86010-3200	86012-3200	MM enhanced	Zirconia PC	short boot crimp	128 $\mu$ m
86010-1000	86012-1000	MM	Zirconia PC	long boot	144 $\mu$ m
86010-1300	86012-1300	MM	Zirconia PC	long boot crimp	144 $\mu$ m
86010-1200	86012-1200	MM	Zirconia PC	short boot crimp	144 $\mu$ m
86010-8000	86012-8000	MM	Stainless Steel flat	long boot	127 $\mu$ m
86010-8300	86012-8300	MM	Stainless Steel flat	long boot crimp	127 $\mu$ m
86010-8200	86012-8200	MM	Stainless Steel flat	short boot crimp	127 $\mu$ m
86010-5000	86012-5000	SM	Zirconia PC	long boot	126 $\mu$ m
86010-5300	86012-5300	SM	Zirconia PC	long boot crimp	126 $\mu$ m
86010-5200	86012-5200	SM	Zirconia PC	short boot crimp	126 $\mu$ m
86010-7000	86012-7000	SM	Zirconia PC	long boot	127 $\mu$ m
86010-7300	86012-7300	SM	Zirconia PC	long boot crimp	127 $\mu$ m
86010-7200	86012-7200	SM	Zirconia PC	short boot crimp	127 $\mu$ m



RECOGNIZED WORLD LEADER IN FIBER OPTIC TECHNOLOGY  
 QUALITY FIBER COMPONENTS, EQUIPMENT, & SUPPLIES

## Product Data Sheet

Page 5 of 5

### Ordering Information

#### ST Connectors: Cable size 3.0 mm

Order Number by Coupling Nut Polymer	Order Number by Coupling Nut Metal	Mode	Ferrule	Boot	Hole Size "D"
86010-0400	86012-0400	MM	Zirconia PC+	90° boot	127 μm
86010-0440	86012-0440	MM	Zirconia PC+	90° boot red	127 μm
86010-3400	86012-3400	MM enhanced	Zirconia PC	90° boot	128 μm
86010-3440	86012-3440	MM enhanced	Zirconia PC	90° boot red	128 μm
86010-1400	86012-1400	MM	Zirconia PC	90° boot	144 μm
86010-1440	86012-1440	MM	Zirconia PC	90° boot red	144 μm
86010-8400	86012-8400	MM	Stainless Steel flat	90° boot	127 μm
86010-8440	86012-8440	MM	Stainless Steel flat	90° boot red	127 μm
86010-5400	86012-5400	SM	Zirconia PC	90° boot	126 μm
86010-5440	86012-5440	SM	Zirconia PC	90° boot red	126 μm
86010-7400	86012-7400	SM	Zirconia PC	90° boot	127 μm
86010-7440	86012-7440	SM	Zirconia PC	90° boot red	127 μm

#### ST Connectors: Cable size 900 μm buffered fiber

Order Number by Coupling Nut Polymer	Order Number by Coupling Nut Metal	Mode	Ferrule	Boot	Hole Size "D"
86010-0500	86012-0500	MM	Zirconia PC+	buffered fiber	127 μm
86010-3500	86012-3500	MM enhanced	Zirconia PC	buffered fiber	128 μm
86010-1500	86012-1500	MM	Zirconia PC	buffered fiber	144 μm
86010-9500	86012-9500	MM	Zirconia flat	buffered fiber	232 μm
86010-8500	86012-8500	MM	Stainless Steel flat	buffered fiber	127 μm
86010-5500	86012-5500	SM	Zirconia PC	buffered fiber	126 μm
86010-7500	86012-7500	SM	Zirconia PC	buffered fiber	127 μm

#### ST\*\*\* Adapters

Order Number	Adapter type	Alignment sleeve	Housing
86110-0000	ST	Zirconia	black polymer
86112-0000	ST	Phosphor bronze	black polymer
86113-0000	ST	Polymer	black polymer
86110-1000	ST	Zirconia	metal
86112-1000	ST	Phosphor bronze	metal
86113-1000	ST	Polymer	metal
86172-0000	ST to FC	Zirconia	metal

\*\*\* Standard boot color is black.

Note: Specifications subject to change.