



**Manufacturer:**  
Amphenol Fiber Optic Products

**Product Name:**  
Amphenol Black T-Style Dust Cap with Slit for SMA Connector

**Manufacturer Part Number:**  
905-5173-01-MD



▶ [Click here for more details on the Amphenol Black T-Style Dust Cap with Slit for SMA Connector](#)

# SMA Dust Cap

Protects optical surfaces from dust and contaminants, ensuring optimal system performance

Available with optional tethers, chains, and custom logos for added convenience

Medical-grade options with slit design allow for sterilization, including ETO sterilization applications



## Features and Benefits:

- ▶ SMA Dust Caps fit securely over connectors to protect optical surfaces from dust and contaminants, preserving system performance and light transmission.
- ▶ Optional features include tether loops or chains for convenience, and a variety of color choices.

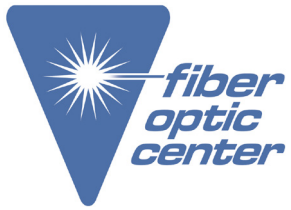
- ▶ The slit design on the cap allows for sterilization while maintaining protection from dust.
- ▶ Standard caps feature the Amphenol logo, but custom logos are available for larger orders.
- ▶ For medical applications involving ETO sterilization, be sure to specify slit dust caps on the sales order.
- ▶ Medical Grade Material available on some models as indicated.



**Contact the professionals at Fiber Optic Center for a quote or to get more details.**

23 Centre Street • New Bedford, MA 02740 USA • [focenter.com](http://focenter.com) • 508-992-6464 • (800) 473-4237 • [sales@focenter.com](mailto:sales@focenter.com)

*Product specifications and data are subject to change without notice.*



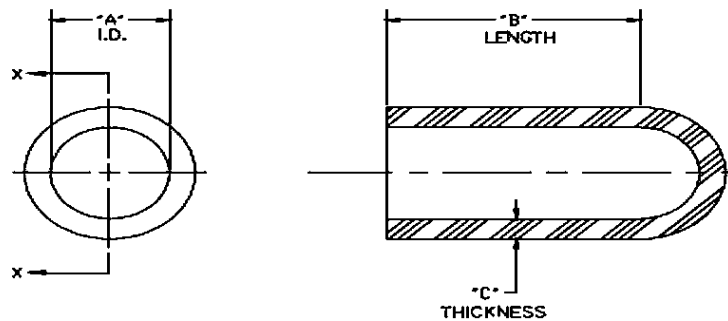
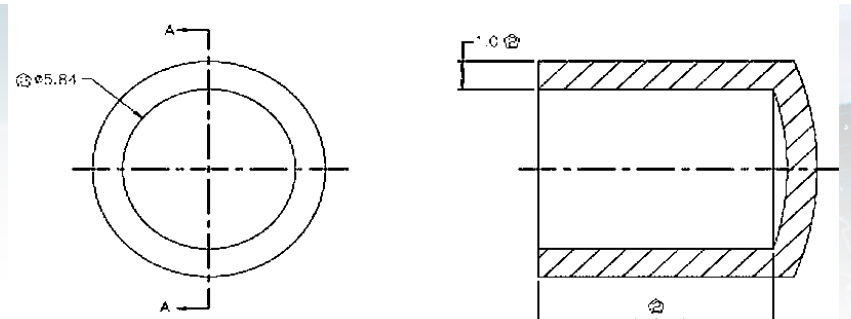
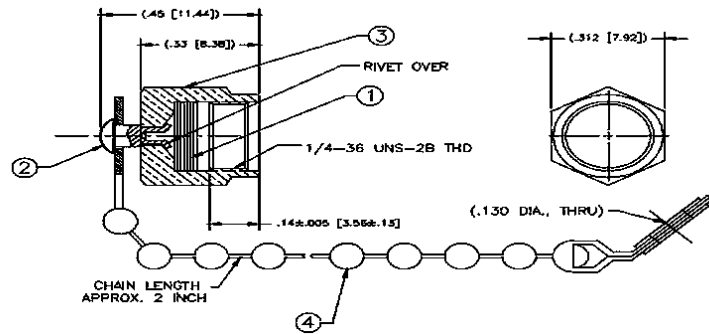
**Manufacturer:**  
Amphenol Fiber Optic Products

**Product Name:**  
Amphenol Black T-Style Dust Cap with Slit for SMA Connector

**Manufacturer Part Number:**  
905-5173-01-MD



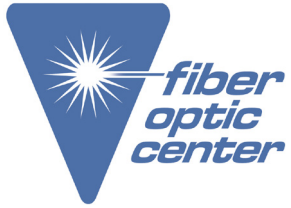
▶ [Click here for more details on the Amphenol Black T-Style Dust Cap with Slit for SMA Connector](#)



**Contact the professionals at Fiber Optic Center for a quote or to get more details.**

23 Centre Street • New Bedford, MA 02740 USA • [focenter.com](http://focenter.com) • 508-992-6464 • (800) 473-4237 • [sales@focenter.com](mailto:sales@focenter.com)

*Product specifications and data are subject to change without notice.*



**Manufacturer:**  
Amphenol Fiber Optic Products

**Product Name:**  
Amphenol Black T-Style Dust Cap with Slit for SMA Connector

**Manufacturer Part Number:**  
905-5173-01-MD



▶ [Click here for more details on the Amphenol Black T-Style Dust Cap with Slit for SMA Connector](#)

## SMA Dust Cap

### 905-5173-01 Series

Part Number	Description	Cap Color	Tether Loop	Cap Slit	Cap Logo	Med Material
905-5173-01-MD	Dust Cap	Black	None	Yes	No	Yes



905-5173-01-MD  
CAP, DUST, NO TETHER, YES SLIT, NO LOGO, BLACK

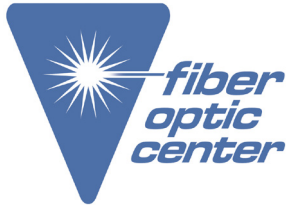
### 905-5173-02 Series

Part Number	Description	Cap Color	Tether Loop	Cap Slit	Cap Logo	Med Material
905-5173-02-MD	Dust Cap	Black	None	No	No	Yes

**Contact the professionals at Fiber Optic Center for a quote or to get more details.**

23 Centre Street • New Bedford, MA 02740 USA • [focenter.com](http://focenter.com) • 508-992-6464 • (800) 473-4237 • [sales@focenter.com](mailto:sales@focenter.com)

*Product specifications and data are subject to change without notice.*



**Manufacturer:**  
Amphenol Fiber Optic Products

**Product Name:**  
Amphenol Black T-Style Dust Cap with Slit for SMA Connector

**Manufacturer Part Number:**  
905-5173-01-MD



▶ Click here for more details on the Amphenol Black T-Style Dust Cap with Slit for SMA Connector

### 905-5173-12 Series

Part Number	Description	Cap Color	Tether Loop	Cap Slit	Cap Logo	Med Material
905-5173-12-MD	Dust Cap	Black	Yes	Yes	No	No



905-5173-12  
CAP, DUST, YES TETHER, YES SLIT, NO LOGO, BLACK,

**Meets QA Standards:**

REACH 240 Compliant  
RoHS Certificate of Compliance



**Contact the professionals at Fiber Optic Center for a quote or to get more details.**

23 Centre Street • New Bedford, MA 02740 USA • [focenter.com](http://focenter.com) • 508-992-6464 • (800) 473-4237 • [sales@focenter.com](mailto:sales@focenter.com)

*Product specifications and data are subject to change without notice.*