



**Manufacturer:**  
Amphenol Fiber Optic Products

**Product Name:**  
Amphenol ST Adapter Zirconia DD-Hole - Black

**Manufacturer Part Number:**  
953-120-5000

▶ [Click here for more details on the Amphenol ST Adapter Zirconia DD-Hole - Black](#)

**P/N: 953-120-5000**

**Description:** ST Bulkhead Adapter, Black, Plastic Body/Nut, with Ceramic Sleeve



**Overview**

Amphenol's Fiber Optic Product 953 series ST adapters utilize a bayonet style mating concept to provide a secure robust coupling mechanism.

The ST Adapter has been used extensively in Medical Devices, Industrial, telecom and test lab applications. Special attention has been given to every ST adapter performance parameters, increasing product repeatability and exceeding industry standards.

**Features & Benefits**

- High Quality construction ensures long life, durability & dependable
- Also known as Bayonet Style Adapters / Straight Tip
- Low Cost Solution
- Easy Installation
- Keyed slot

**Applications**

- Medical / Surgical
- Laser Systems
- Industrial
- Spectrometers
- Data Communications

**Technical Specifications**

Flange type	D-Hole
Sleeve Material	Zirconia
Intermateable with	ST & STII connectors
Durability	500 plus mating cycles
Insertion Loss	Typically less than 0.1dB
Weight	.1 oz

**Physical Characteristics**

ST Adapter Body	Thermal Plastic
Panel Nut	Thermal Plastic
Lockwasher	Stainless Steel
Dust Cap	Vinyl
Mounting Panel Cutout	8 x 9.9mm
Panel Nut & Washer	10.6 x 7.6mm
Length	29.1mm / 1.14"

**Environmental Specifications**

Operating Temperature:	Storage Temperature:
-25°C to 85°C	-40°C to 70°C

**Contact the professionals at Fiber Optic Center for a quote or to get more details.**

[focenter.com](http://focenter.com) • 508-992-6464 | (800) 473-4237 • [sales@focenter.com](mailto:sales@focenter.com)  
23 Centre Street • New Bedford, MA 02740 USA

*Product specifications and data are subject to change without notice.*



**Manufacturer:**  
Amphenol Fiber Optic Products

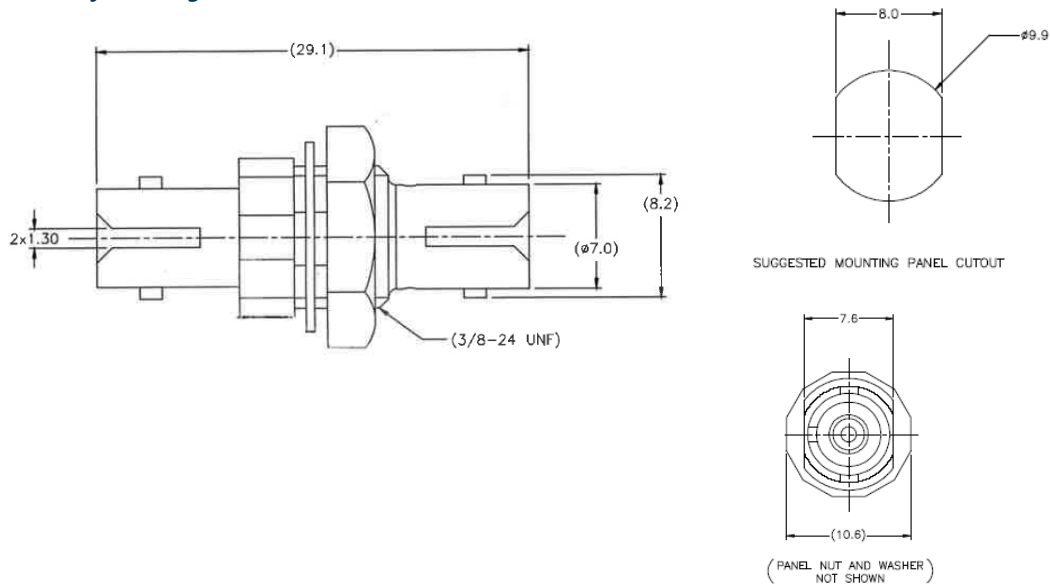
**Product Name:**  
Amphenol ST Adapter Zirconia DD-Hole - Black

**Manufacturer Part Number:**  
953-120-5000

▶ [Click here for more details on the Amphenol ST Adapter Zirconia DD-Hole - Black](#)

**P/N: 953-120-5000**

**Assembly Drawing**



**Ordering Information**

Order Code:	Customization Options:	MOQ (Minimum Order Quantity):
953-120-5000-P	Individual Packaging Bulk Packaging (100)	300 pieces

**Performance and Testing**

Testing Method:	100% tested for optical performance
-----------------	-------------------------------------

**Compliance and Certifications**

Intermateable w/ NTT-FC Products	RoHS / Reach
----------------------------------	--------------

**Contact the professionals at Fiber Optic Center for a quote or to get more details.**

[focenter.com](http://focenter.com) • 508-992-6464 | (800) 473-4237 • [sales@focenter.com](mailto:sales@focenter.com)  
23 Centre Street • New Bedford, MA 02740 USA

*Product specifications and data are subject to change without notice.*