



Manufacturer:
Amphenol Fiber Optic Products


Product Name:
Amphenol ST Adapter Zirconia DD-Hole - Metal

Manufacturer Part Number:
953-120-5003

▶ [Click here for more details on the Amphenol ST Adapter Zirconia DD-Hole - Metal](#)

ST Adapters

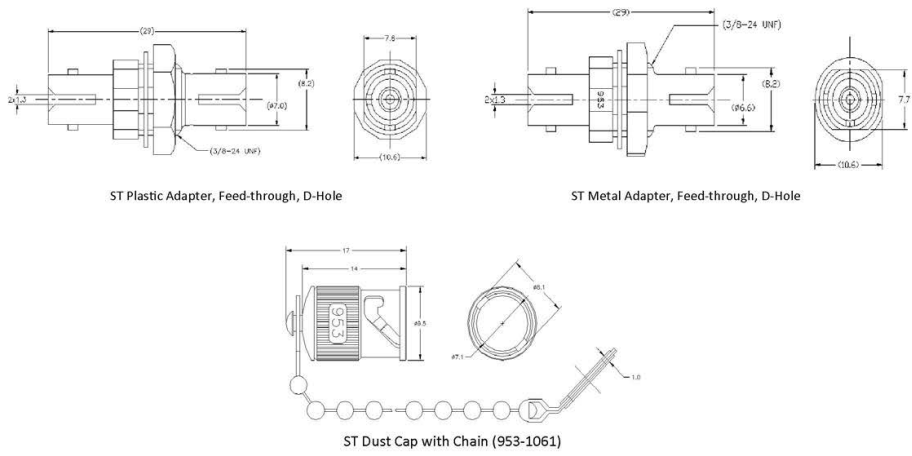
Amphenol ST adapters are manufactured to be mechanically and optically intermateable with ST and STII products. Ideally suited for Datacom and Telecom applications in densely packed patch panels.



Part # (ST Adapter)	Description	Alignment Sleeve Material	Flange Type	Body
953-120-5000	ST adapter, plastic body, singlemode, D-hole	Zirconia	Feed-through, D-hole	Black Plastic
953-120-5003	ST adapter, metal body, singlemode, D-hole	Zirconia	Feed-through, D-hole	Metal
953-122-5002	ST adapter, plastic body, multimode, D-hole	Phosphor Bronze	Feed-through, D-hole	White Plastic
953-122-5003	ST adapter, metal body, multimode, D-hole	Phosphor Bronze	Feed-through, D-hole	Metal

Part # (ST Hybrid Adapter)				
954-953-5000	SC-ST hybrid simplex adapter, singlemode	Zirconia	Screw mount	Blue/Black Plastic
954-953-5001	SC-ST hybrid simplex adapter, multimode	Phosphor Bronze	Screw mount	Blue/Black Plastic

Part # (Accessories)	
953-1061	ST dust cap with chain, 0.130" diameter ring
953-1079	ST dust cap with chain, 0.380" diameter ring



*US Patent No. 6,688,780

Contact the professionals at Fiber Optic Center for a quote or to get more details.

focenter.com • 508-992-6464 | (800) 473-4237 • sales@focenter.com
23 Centre Street • New Bedford, MA 02740 USA

Product specifications and data are subject to change without notice.