

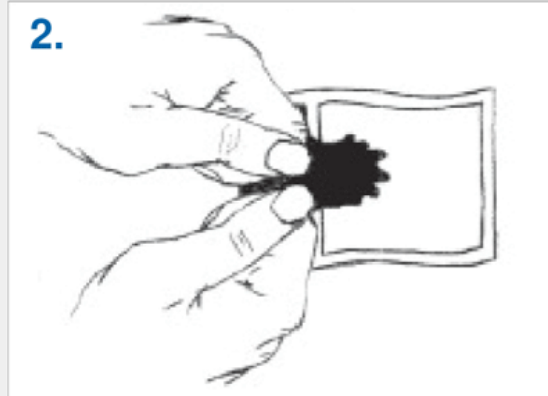
BURST POUCH MIXING INSTRUCTIONS

1.



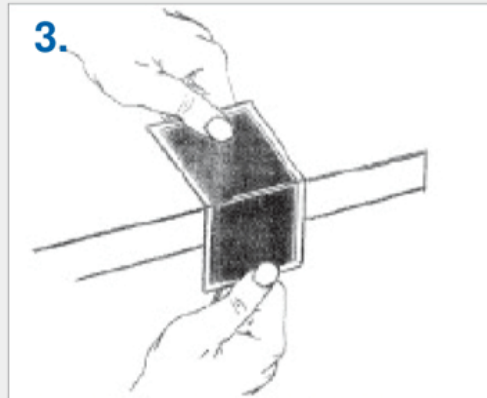
Roll pouch toward burst seal.

2.



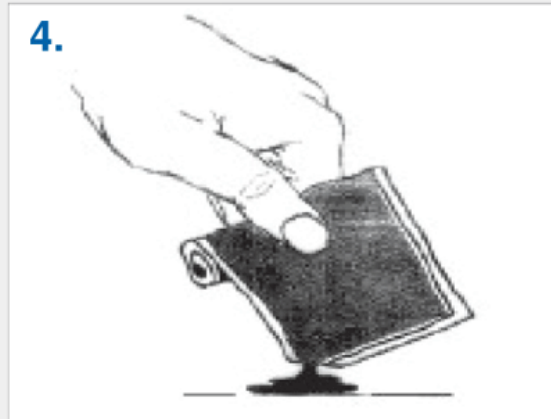
Apply thumb pressure to rupture burst seal.

3.



Mix thoroughly on table edge or any 90 degree surface until well mixed.

4.



Cut corner and dispense.