

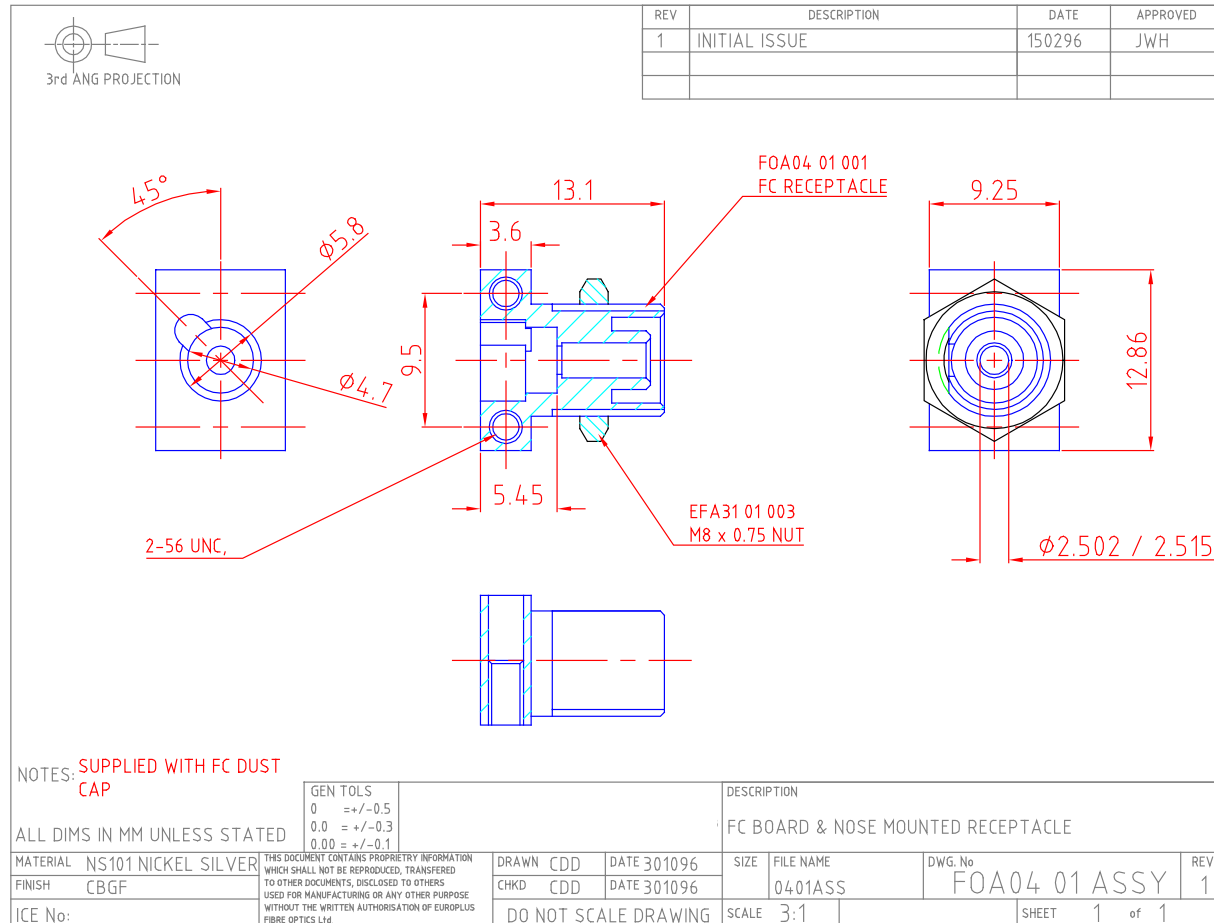
Manufacturer:
CMG Technologies

Product Name:
CMG FC MM D Hole Board/Panel Mount Receptacle

Manufacturer Part Number:
FOA04 01 ASSY



▶ [Click here for more details on the CMG FC MM D Hole Board/Panel Mount Receptacle](#)



Contact the professionals at Fiber Optic Center for a quote or to get more details.

23 Centre Street • New Bedford, MA 02740 USA • focenter.com • 508-992-6464 • (800) 473-4237 • sales@focenter.com

Product specifications and data are subject to change without notice.