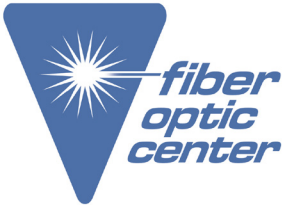


USER MANUAL



Manufacturer:

Total Fiber

Product Name:

Easy Fiber Mechanical Duct and Cable Slitter Replacement Blade

Manufacturer Part Number:

EFDS230292

▶ [Click here for more details on the Easy Fiber Mechanical Duct and Cable Slitter Replacement Blade](#)

USER MANUAL

EASY FIBER DUCT SLITTER



Contact the professionals at Fiber Optic Center for a quote or to get more details.

focenter.com • 508-992-6464 | (800) 473-4237 • sales@focenter.com

23 Centre Street • New Bedford, MA 02740 USA

Product data subject to change without notice.

1. Introduction

The purpose of the user manual is to equip the user to operate the Easy Fiber Duct Slitter safely.

2. Safety

1. Definitions

The safety levels associated with each of the signal words used in the user manual are explained below.



Caution: Indicates a potentially hazardous situation which, unless avoided, may result in minor or moderate personal injury.

2. Safety in general

Make sure the work area is clean and well lit. Because messy or dark areas give rise to occupational accidents.

Use personal safety equipment. Use safety footwear, safety glasses and gloves when the circumstances dictate it can reduce the extent of personal injury.

Wear appropriate clothing. Do not wear loose clothing or jewellery, keep your hair, clothes and gloves away from moving parts. Loose clothing, jewelry or long hair can get caught in moving parts.

Do not let experience from frequent use of the equipment cause you to become overconfident and ignore safety instructions for the equipment. A careless action can quickly cause serious damage.

3. Safety in use

Use the Easy Fiber Duct Slitter only for the intended duct sizes and material.

Do not drive faster than the maximum speed (500 revolutions per minute).



Caution: if the Duct Slitter is run faster than intended it can result that the operator loses control, with possible personal injury as a result.

Lockable start button must not be used when using a drill/screwdriver. Never use a drill/screwdriver where the drive can be locked, so that it can keep going without the user keeping it going. The user must not lock the handle with strips or the like.



Caution: The Duct Slitter must not be used locked/handheld, otherwise it can causes loss of control, with possible personal injury as a result.

The knife is sharp, so be careful not to get fingers or anything other than intended near it during use or handling.

Contact the professionals at Fiber Optic Center for a quote or to get more details.

focenter.com • 508-992-6464 | (800) 473-4237 • sales@focenter.com

23 Centre Street • New Bedford, MA 02740 USA

*Product data subject to change
without notice.*

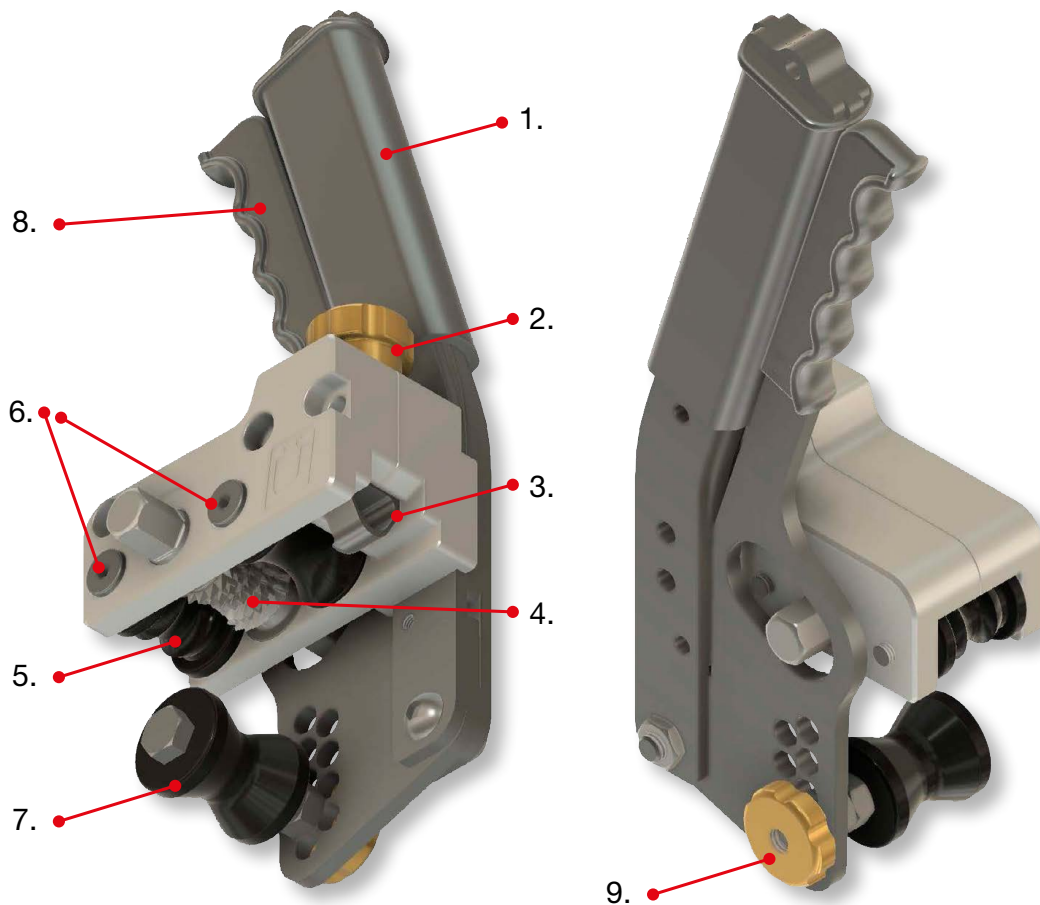
3. Identification

1. Type plate



2. Overview

1. Handle
2. Finger knob for knife adjustment
3. Knife
4. Traction roller
5. Support rollers 2 pcs.
6. Bolts for support rollers
7. Counter roll
8. Arm for counter roll
9. Finger nut for counter roller



Contact the professionals at Fiber Optic Center for a quote or to get more details.

focenter.com • 508-992-6464 | (800) 473-4237 • sales@focenter.com

23 Centre Street • New Bedford, MA 02740 USA

Product data subject to change
without notice.

4. Specifications

The Easy Fiber Duct Splitter is intended to open/cut HDPE fiber duct lengthwise in order to remove the fiber cable inside.

Propulsion can be done either manually with the help of a socket wrench, or with the help of an accu drill/screwdriver.

The Easy Fiber Duct Splitter must not be used to cut anything other than HDPE (soft) plastic ducts, and must not be operated with anything other than hand power or a drill/screw machine.

1. Capacity

Pipe diameter:	Outer diameter Ø14-40 mm / 0.55"-1.58".
Max wall thickness of pipe:	4,5 mm / 0.177"
Max speed traction roller:	500 revolutions per minute.
Duct material:	ONLY intended for HDPE plastic ducts.

2. Dimensions

Height:	265 mm / 10.44"
Width:	85 mm / 3.35"
Length:	100 mm / 3.94"
Weight:	1,5 kg. / 3.30 lbs

3. Storage and use

Storage and transport of the duct slitter should take place in the supplied storage box.

Store dry.

Contact the professionals at Fiber Optic Center for a quote or to get more details.

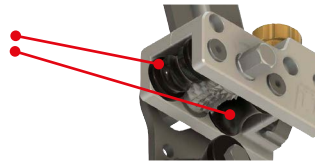
focenter.com • 508-992-6464 | (800) 473-4237 • sales@focenter.com

23 Centre Street • New Bedford, MA 02740 USA

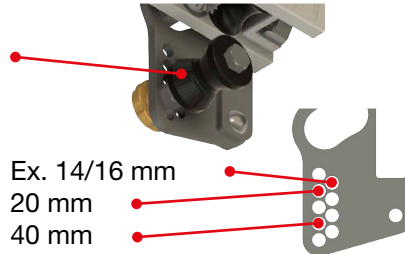
*Product data subject to change
without notice.*

4. Setting and use

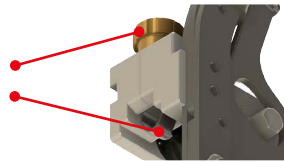
1. Select and install support rollers in the same dimension as the duct to be cut.



2. Adjust counter roller. This is done by moving the roller to the highest possible hole, where the duct can still go between the support rollers and the counter roller.

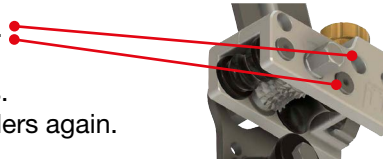


3. Adjust knife depth. The duct is placed immediately before the knife, and this is pressed against the traction roller with a firm grip on the handles. Now adjust the knife until the knife's cable deflector (lower part of the round knife) is very close to the inside of the duct wall.



5. Change of support rollers

1. Unscrew the bolts for support rollers.
2. Remove the support rollers.
3. Insert the desired size support rollers.
4. Screw in the bolts for the support rollers again.



6. Use

When the Easy Fiber Duct Splitter is adjusted in, the duct is clamped with a firm and constant grip on the handles with one hand, while simultaneously rotating the traction roller in the direction of the (engraved) arrow with the other hand.
Propulsion by hand: can be done by using a 13 mm socket wrench or similar.
Driving with a drill/screwdriver: can be done by using a 13mm hex bit mounted in a drill/screwdriver.
In both cases, the best results are obtained by cutting on the outside of the duct's curvature.

Contact the professionals at Fiber Optic Center for a quote or to get more details.

focenter.com • 508-992-6464 | (800) 473-4237 • sales@focenter.com

23 Centre Street • New Bedford, MA 02740 USA

Product data subject to change without notice.

5. Maintenance

To ensure problem-free and safe operation, the Easy Fiber Duct Splitter must be inspected, cleaned and maintained.

1. Daily

Check that the unit is complete and undamaged. If parts are damaged or worn, replace the parts before continuing use.

2. Monthly

Monthly maintenance = 30 days of use

Cleaning: Remove dirt with a cloth, brush or similar, wash as needed with mild soapy water or mild degreaser.

Lubrication

Moving parts must be lubricated as needed, with a suitable lubricant.

Replacement of knife

The unit must be separated in the middle for the blade to be replaced/cleaned. It is separated in the middle by removing bolts for support rollers. Then remove the three screws that hold the "body" together. It can then be divided into two halves and the knife can now be removed.

Assembly takes place in the opposite order, remember to clean and lubricate moving parts before assembly. Be careful to get the ball bearings, blade and draw roller correctly oriented/positioned.

If you are unsure about this task, contact trained service personnel or your reseller.

Contact the professionals at Fiber Optic Center for a quote or to get more details.

focenter.com • 508-992-6464 | (800) 473-4237 • sales@focenter.com

23 Centre Street • New Bedford, MA 02740 USA

*Product data subject to change
without notice.*

6. Troubleshooting

Problem statement	Probable cause	Remedy
Trækrolle kan ikke rotere frit	Dirt and/or fragments prevent free rotation	Remove dirt/fragments and clean the slitter
Rollers cannot rotate freely	Dirt and/or fragments prevent free rotation	Remove dirt/fragments and clean the slitter
Rollers or shaft are worn	Often use	Replace rollers/axle
Knife cannot be adjusted	Dirt and/or fragments around the knife	Separate and remove/clean
The slitter cannot "grab" the duct	Traction roller turned wrong after disassembly	Separate and turn the roll correctly
	Wrong size support rollers fitted	Install the appropriate size support rollers

If problems cannot be rectified or found in the above chart, contact your reseller for help.

7. Disposal

Dispose of in accordance with applicable local regulations.

Contact the professionals at Fiber Optic Center for a quote or to get more details.

focenter.com • 508-992-6464 | (800) 473-4237 • sales@focenter.com

23 Centre Street • New Bedford, MA 02740 USA

Product data subject to change without notice.

8. Declaration of Conformity

EC Declaration of Conformity



It is hereby declared that the product complies with:
Directive 2006/42/EC
Designation: EASY FIBER DUCT SLITTER

A handwritten signature in blue ink, which appears to read 'John Bisgaard', is written over a horizontal line.

John Bisgaard (owner of Total Fiber A/S)
Date: 10 July 2024

Contact the professionals at Fiber Optic Center for a quote or to get more details.

focenter.com • 508-992-6464 | (800) 473-4237 • sales@focenter.com

23 Centre Street • New Bedford, MA 02740 USA

*Product data subject to change
without notice.*