



Manufacturer:

Seikoh Giken

Manufacturer Part Number:

SLC-P1G-111251F304G • SLC-PN1G-811251F304G • SLC-PQ1G-311261F304G
SLC-P2G-521251F305G • SLC-PN2G-821251F305G • SLC-PQ2G-C21261F305G3
SLC-P1G-111261F304G • SLC-PN1G-811261F304G • SLC-P2G-521261F305G
SLC-PN2G-821261F305G

GS-LC Series

LC CONNECTOR PLUG

TECHNICAL SPECIFICATIONS

Contact the professionals at Fiber Optic Center for a quote or to get more details.

focenter.com • 508-992-6464 | (800) 473-4237 • sales@focenter.com

23 Centre Street • New Bedford, MA 02740 USA



Manufacturer:

Seikoh Giken

Manufacturer Part Number:

SLC-P1G-111251F304G • SLC-PN1G-811251F304G • SLC-PQ1G-311261F304G
SLC-P2G-521251F305G • SLC-PN2G-821251F305G • SLC-PQ2G-C21261F305G3
SLC-P1G-111261F304G • SLC-PN1G-811261F304G • SLC-P2G-521261F305G
SLC-PN2G-821261F305G

QC-ZW-004-4
GS-LC-Plug

QC-ZW-004-0	May 2013
QC-ZW-004-1	Mar 2014
QC-ZW-004-2	May 2019
QC-ZW-004-3	Dec 2019
QC-ZW-004-4	Mar 2021

Copyright © 2013-2021 by Seikoh Giken Hangzhou Co., Ltd.
All right reserved.

The information contained herein shall not be reproduced or disclosed to any third party without the express written consent of Seikoh Giken Hangzhou Co., Ltd.
The specifications and materials contained herein are subject to change without notice.

Contact the professionals at Fiber Optic Center for a quote or to get more details.

focenter.com • 508-992-6464 | (800) 473-4237 • sales@focenter.com

23 Centre Street • New Bedford, MA 02740 USA



Manufacturer:

Seikoh Giken

Manufacturer Part Number:

SLC-P1G-111251F304G • SLC-PN1G-811251F304G • SLC-PQ1G-311261F304G
SLC-P2G-521251F305G • SLC-PN2G-821251F305G • SLC-PQ2G-C21261F305G3
SLC-P1G-111261F304G • SLC-PN1G-811261F304G • SLC-P2G-521261F305G
SLC-PN2G-821261F305G

QC-ZW-004-4
GS-LC-Plug

TABLE OF CONTENTS

Section	Page
1 SCOPE	1
2 PART NUMBER	1-3
3 GENERAL SPECIFICATIONS	4-5
3.1 Parts and Materials	4-5
3.2 Physical Dimensions	5
3.3 Appearance	5
4 PACKING	6
5 IDENTIFICATION	6
6 HANDLING AND CARE	6
6.1 Conditions of Storage	6
6.2 Precautions of Use	6
6.3 Disposal	6

Contact the professionals at Fiber Optic Center for a quote or to get more details.

focenter.com • 508-992-6464 | (800) 473-4237 • sales@focenter.com

23 Centre Street • New Bedford, MA 02740 USA



Manufacturer:

Seikoh Giken

Manufacturer Part Number:

SLC-P1G-111251F304G • SLC-PN1G-811251F304G • SLC-PQ1G-311261F304G
 SLC-P2G-521251F305G • SLC-PN2G-821251F305G • SLC-PQ2G-C21261F305G3
 SLC-P1G-111261F304G • SLC-PN1G-811261F304G • SLC-P2G-521261F305G
 SLC-PN2G-821261F305G

QC-ZW-004-4
GS-LC-Plug

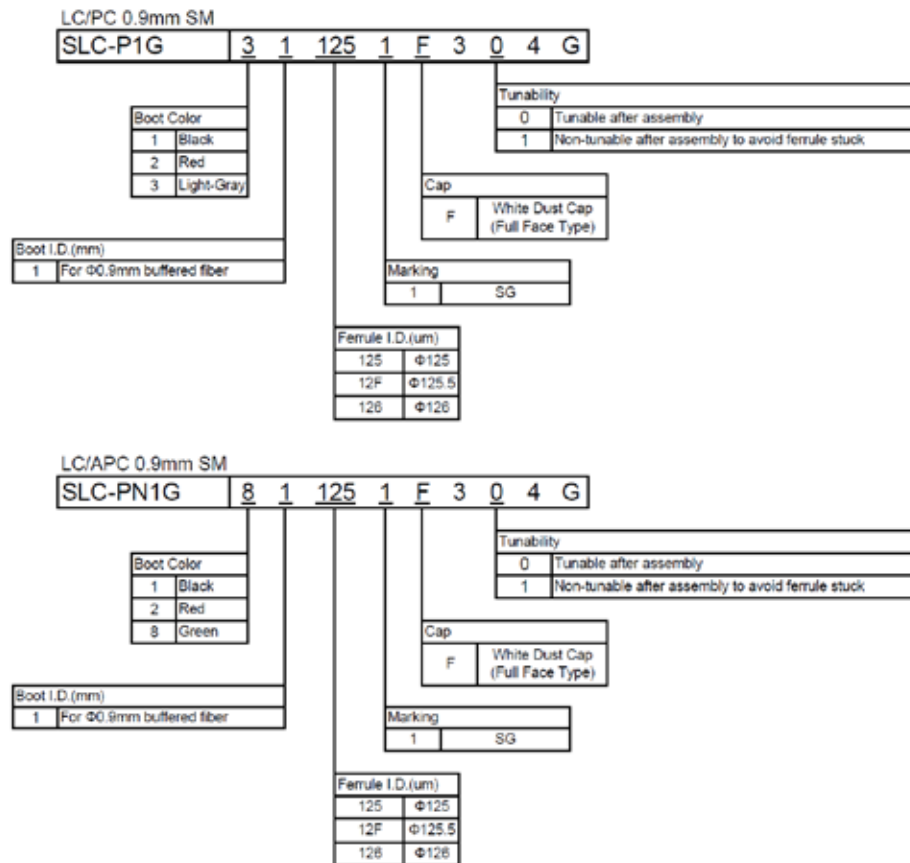
1 SCOPE

These specifications apply to the GS-LC series LC connector plug - for $\varnothing 0.9$, $\varnothing 2$ mm cord - supplied by Seikoh Giken Hangzhou Co., Ltd.

2 PART NUMBER

Part number of the connector plug is shown in Table 1.

Table 1 Part Number



Contact the professionals at Fiber Optic Center for a quote or to get more details.

focenter.com • 508-992-6464 | (800) 473-4237 • sales@focenter.com

23 Centre Street • New Bedford, MA 02740 USA

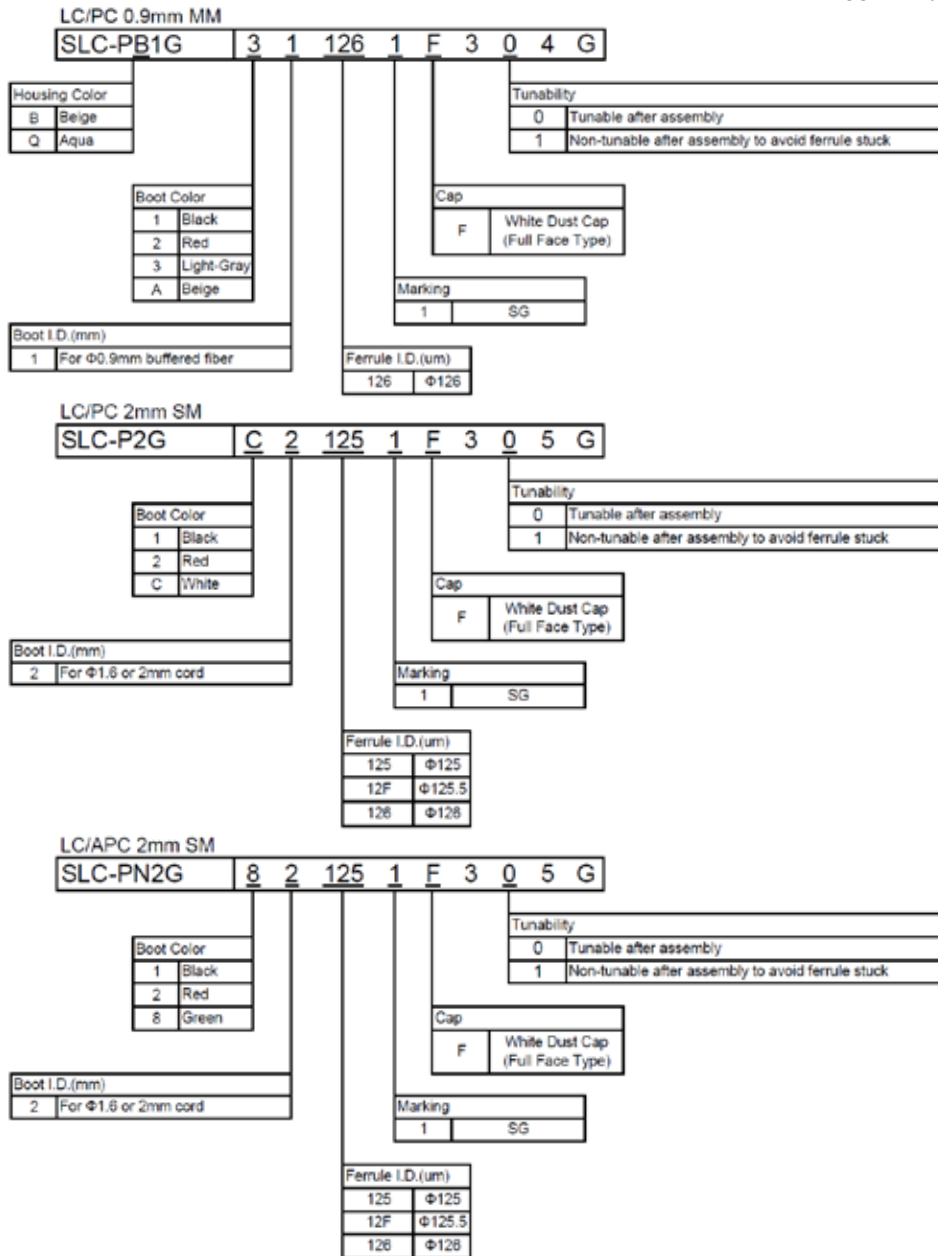


Manufacturer:
Seikoh Giken

Manufacturer Part Number:

SLC-P1G-111251F304G • SLC-PN1G-811251F304G • SLC-PQ1G-311261F304G
 SLC-P2G-521251F305G • SLC-PN2G-821251F305G • SLC-PQ2G-C21261F305G3
 SLC-P1G-111261F304G • SLC-PN1G-811261F304G • SLC-P2G-521261F305G
 SLC-PN2G-821261F305G

QC-ZW-004-4
GS-LC-Plug



Contact the professionals at Fiber Optic Center for a quote or to get more details.

focenter.com • 508-992-6464 | (800) 473-4237 • sales@focenter.com

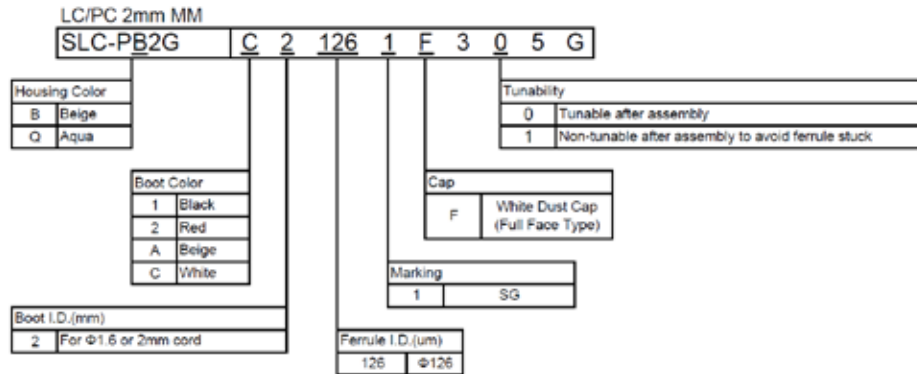
23 Centre Street • New Bedford, MA 02740 USA



Manufacturer:
Seikoh Giken

Manufacturer Part Number:
 SLC-P1G-111251F304G • SLC-PN1G-811251F304G • SLC-PQ1G-311261F304G
 SLC-P2G-521251F305G • SLC-PN2G-821251F305G • SLC-PQ2G-C21261F305G3
 SLC-P1G-111261F304G • SLC-PN1G-811261F304G • SLC-P2G-521261F305G
 SLC-PN2G-821261F305G

QC-ZW-004-4
GS-LC-Plug



Please contact us for availability of other specifications.

Contact the professionals at Fiber Optic Center for a quote or to get more details.

focenter.com • 508-992-6464 | (800) 473-4237 • sales@focenter.com

23 Centre Street • New Bedford, MA 02740 USA



Manufacturer:

Seikoh Giken

Manufacturer Part Number:

SLC-P1G-111251F304G • SLC-PN1G-811251F304G • SLC-PQ1G-311261F304G
 SLC-P2G-521251F305G • SLC-PN2G-821251F305G • SLC-PQ2G-C21261F305G3
 SLC-P1G-111261F304G • SLC-PN1G-811261F304G • SLC-P2G-521261F305G
 SLC-PN2G-821261F305G

QC-ZW-004-4
GS-LC-Plug

3 GENERAL SPECIFICATIONS

3.1 Parts and Materials

Parts and materials are shown in Table 2 and 3.

Table 2-1 Parts and Materials ϕ 0.9

Item	Part Name	Qty	Material	Notes
①	Main Body	1	See Table 2-2	See Table 2-2
②	Boot	1	TPEE	Flammability UL94 V-0
③	Cap	1	PBT	Dust Cap White, Flammability UL94 V-0

Note: Item on Table 2-1 corresponds to the item reference number on Figure 1 to 4.

Table 2-2 Parts and Materials of Main Body ϕ 0.9

Item	Part Name	Qty	Material	Notes
③	Capillary	1	Zirconia	-
④	Flange	1	Brass	Nickel Plating
⑤	Tubing	1	PTFE	Clear, Flammability UL94 V-0
⑥	Plug Frame	1	PEI	Flammability UL94 V-0
⑦-1	Spring	1	Stainless Steel	Tunable
⑦-2	Spring	1	Stainless Steel	Non-tunable
⑧	Stopper	1	PBT-GF	Flammability UL94 V-0

Note: Item on Table 2-2 corresponds to the item reference number on Figure 2.

The solid heights of Spring ⑦-1 and Spring ⑦-2 are different.

Contact the professionals at Fiber Optic Center for a quote or to get more details.

focenter.com • 508-992-6464 | (800) 473-4237 • sales@focenter.com

23 Centre Street • New Bedford, MA 02740 USA



Manufacturer:

Seikoh Giken

Manufacturer Part Number:

SLC-P1G-111251F304G • SLC-PN1G-811251F304G • SLC-PQ1G-311261F304G
 SLC-P2G-521251F305G • SLC-PN2G-821251F305G • SLC-PQ2G-C21261F305G3
 SLC-P1G-111261F304G • SLC-PN1G-811261F304G • SLC-P2G-521261F305G
 SLC-PN2G-821261F305G

QC-ZW-004-4
GS-LC-Plug

Table 3-1 Parts and Materials $\phi 2$

Item	Part Name	Qty	Material	Notes
①	Main Body	1	See Table 3-2	See Table 3-2
②	Crimping Ring	1	Aluminum Alloy +Heat shrink tube	Heat shrink tube ; White Flammability VW-1
③	Boot	1	TPEE	Equivalent to Flammability UL94 V-0
⑩	Cap	1	PBT	Dust Cap White, Flammability UL94 V-0

Note: Item on Table 3-1 corresponds to the item reference number on Figure 6 to 9.

Table 3-2 Parts and Materials of Main Body $\phi 2$

Item	Part Name	Qty	Material	Notes
④	Capillary	1	Zirconia	-
⑤	Flange	1	Brass	Nickel Plating
⑥	Tubing	1	PTFE	Clear, Flammability UL94 V-0
⑦	Plug Frame	1	PEI	Flammability UL94 V-0
⑧-1	Spring	1	Stainless Steel	Tunable
⑧-2	Spring	1	Stainless Steel	Non-tunable
⑨	Stopper	1	PEI + Aluminum Alloy	Flammability UL94 V-0

Note: Item on Table 3-2 corresponds to the item reference number on Figure 6.

The solid heights of Spring ⑧-1 and Spring ⑧-2 are different.

3.2 Physical Dimensions

Figure 1 shows the LC-0.9 series connector plug.
 Figure 2 shows the main body.
 Figure 3 to 4 show the dimensions of the parts.

Figure 5 shows the LC-2.0 series connector plug.
 Figure 6 shows the main body.
 Figure 7 to 9 show the dimensions of the parts.

- In accordance with IEC 61754-20 Type LC connector family.
- In accordance with JIS C 5964-20 Type LC connector family.

3.3 Appearance

There should be no burr, peeling of plating or scratches that affect the product.

Contact the professionals at Fiber Optic Center for a quote or to get more details.

focenter.com • 508-992-6464 | (800) 473-4237 • sales@focenter.com
 23 Centre Street • New Bedford, MA 02740 USA



Manufacturer:

Seikoh Giken

Manufacturer Part Number:

SLC-P1G-111251F304G • SLC-PN1G-811251F304G • SLC-PQ1G-311261F304G
SLC-P2G-521251F305G • SLC-PN2G-821251F305G • SLC-PQ2G-C21261F305G3
SLC-P1G-111261F304G • SLC-PN1G-811261F304G • SLC-P2G-521261F305G
SLC-PN2G-821261F305G

QC-ZW-004-4
GS-LC-Plug

4 PACKING

The product is packed to prevent damage during shipment.

5 IDENTIFICATION

Identification label should indicate the part number and the lot number of the product(s) and should be permanently attached to the packing bag.

6 HANDLING AND CARE

6.1 Conditions of Storage

For storage of the product, keep in the packing bag and keep away from corrosive gas, high-temperature and humidity, extreme-low temperature and direct sunlight.

6.2 Precautions for Use

Contamination, oil, sweat and others debris on the ferrule end face may influence the performance of the product. If contamination is on the ferrule end face, wipe the end face with the end face cleaner.

6.3 Disposal

When discarding this product, please follow the regulations of your own country.

Contact the professionals at Fiber Optic Center for a quote or to get more details.

focenter.com • 508-992-6464 | (800) 473-4237 • sales@focenter.com

23 Centre Street • New Bedford, MA 02740 USA



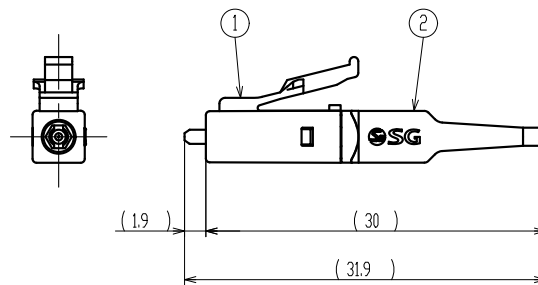
Manufacturer:

Seikoh Giken

Manufacturer Part Number:

SLC-P1G-111251F304G • SLC-PN1G-811251F304G • SLC-PQ1G-311261F304G
SLC-P2G-521251F305G • SLC-PN2G-821251F305G • SLC-PQ2G-C21261F305G3
SLC-P1G-111261F304G • SLC-PN1G-811261F304G • SLC-P2G-521261F305G
SLC-PN2G-821261F305G

QC-ZW-004-4
GS-LC-Plug



Unit: mm

- Notes: 1 This drawing shows the tentatively assembled condition.
On practical shipment of LC-0.9 connector plug, this tentative assembly is not available.
- 2 This drawing does not include the cap.

Figure 1 LC-0.9 Series Connector Plug

Contact the professionals at Fiber Optic Center for a quote or to get more details.

focenter.com • 508-992-6464 | (800) 473-4237 • sales@focenter.com

23 Centre Street • New Bedford, MA 02740 USA

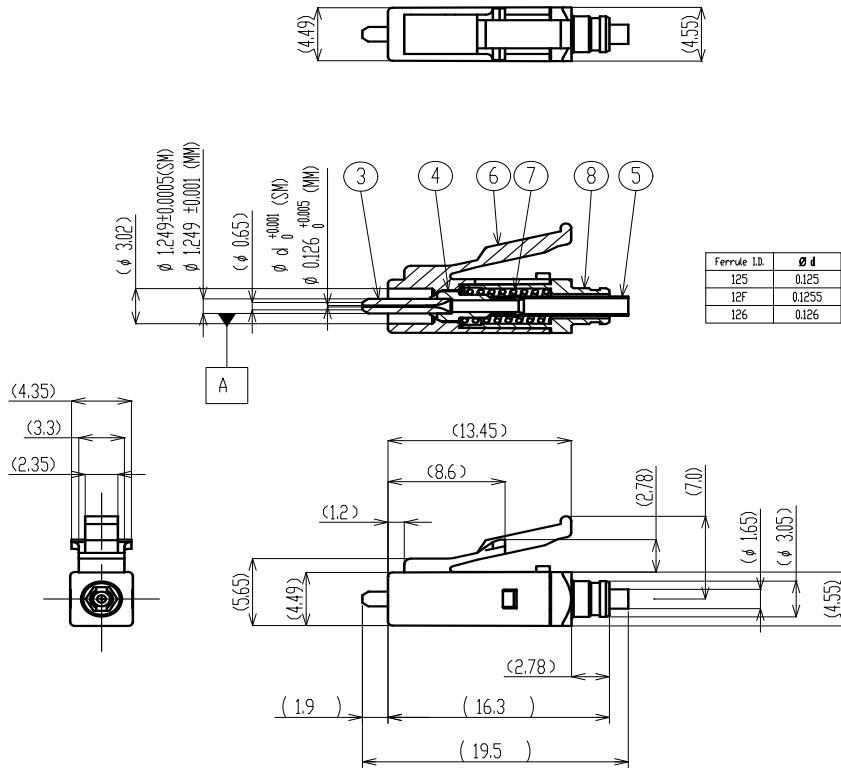


Manufacturer:
Seikoh Giken

Manufacturer Part Number:

SLC-P1G-111251F304G • SLC-PN1G-811251F304G • SLC-PQ1G-311261F304G
 SLC-P2G-521251F305G • SLC-PN2G-821251F305G • SLC-PQ2G-C21261F305G3
 SLC-P1G-111261F304G • SLC-PN1G-811261F304G • SLC-P2G-521261F305G
 SLC-PN2G-821261F305G

QC-ZW-004-4
GS-LC-Plug



Unit: mm

Figure 2 ①Main Body

Contact the professionals at Fiber Optic Center for a quote or to get more details.

focenter.com • 508-992-6464 | (800) 473-4237 • sales@focenter.com

23 Centre Street • New Bedford, MA 02740 USA

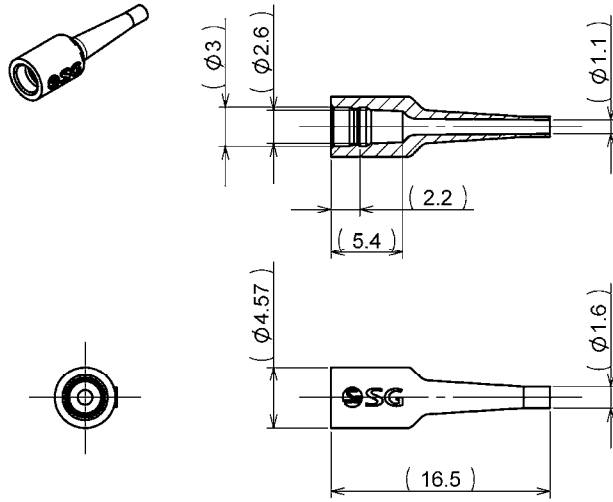


Manufacturer:
Seikoh Giken

Manufacturer Part Number:

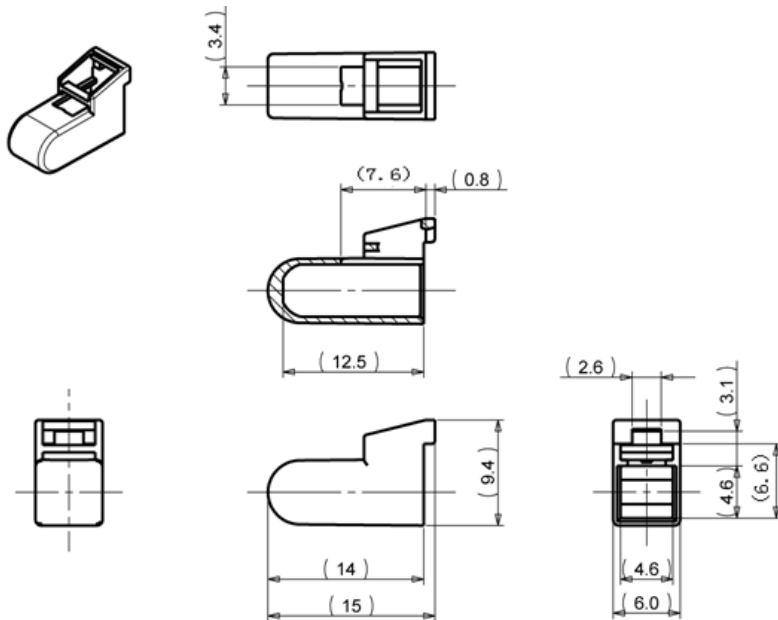
SLC-P1G-111251F304G • SLC-PN1G-811251F304G • SLC-PQ1G-311261F304G
 SLC-P2G-521251F305G • SLC-PN2G-821251F305G • SLC-PQ2G-C21261F305G3
 SLC-P1G-111261F304G • SLC-PN1G-811261F304G • SLC-P2G-521261F305G
 SLC-PN2G-821261F305G

QC-ZW-004-4
GS-LC-Plug



Unit: mm

Figure 3 ②Boot



Unit: mm

Figure 4 ⑨Cap (Dust Cap)

Contact the professionals at Fiber Optic Center for a quote or to get more details.

focenter.com • 508-992-6464 | (800) 473-4237 • sales@focenter.com

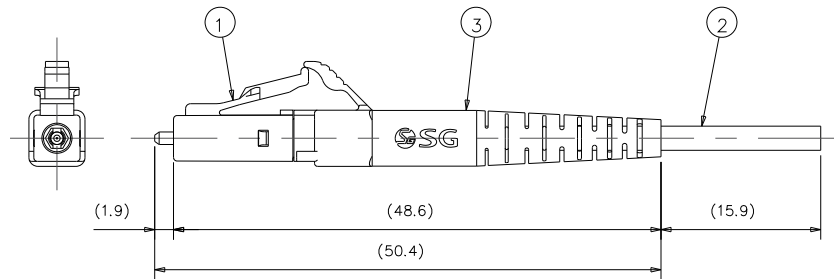
23 Centre Street • New Bedford, MA 02740 USA



Manufacturer:
Seikoh Giken

Manufacturer Part Number:
SLC-P1G-111251F304G • SLC-PN1G-811251F304G • SLC-PQ1G-311261F304G
SLC-P2G-521251F305G • SLC-PN2G-821251F305G • SLC-PQ2G-C21261F305G3
SLC-P1G-111261F304G • SLC-PN1G-811261F304G • SLC-P2G-521261F305G
SLC-PN2G-821261F305G

QC-ZW-004-4
GS-LC-Plug



- Notes: 1 This drawing shows the tentatively assembled condition.
On practical shipment of LC-2.0 connector plug, this tentative assembly is not available.
2 This drawing does not include the cap.

Unit: mm

Figure 5 LC-2.0 Series Connector Plug

Contact the professionals at Fiber Optic Center for a quote or to get more details.

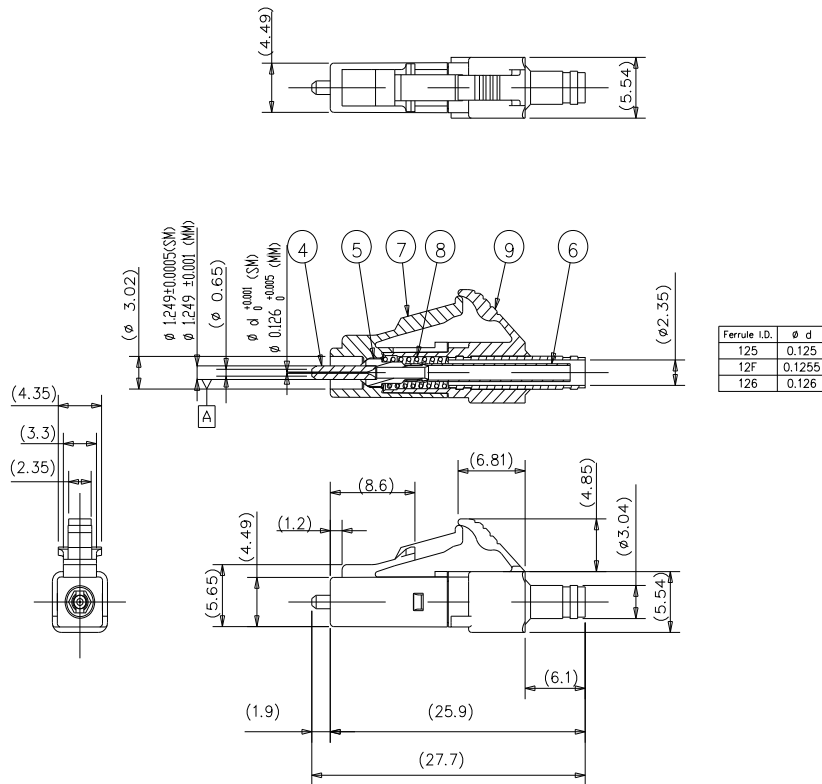
focenter.com • 508-992-6464 | (800) 473-4237 • sales@focenter.com
23 Centre Street • New Bedford, MA 02740 USA



Manufacturer:
Seikoh Giken

Manufacturer Part Number:
 SLC-P1G-111251F304G • SLC-PN1G-811251F304G • SLC-PQ1G-311261F304G
 SLC-P2G-521251F305G • SLC-PN2G-821251F305G • SLC-PQ2G-C21261F305G3
 SLC-P1G-111261F304G • SLC-PN1G-811261F304G • SLC-P2G-521261F305G
 SLC-PN2G-821261F305G

QC-ZW-004-4
GS-LC-Plug



Unit: mm

Figure 6 ①Main Body

Contact the professionals at Fiber Optic Center for a quote or to get more details.

focenter.com • 508-992-6464 | (800) 473-4237 • sales@focenter.com
 23 Centre Street • New Bedford, MA 02740 USA



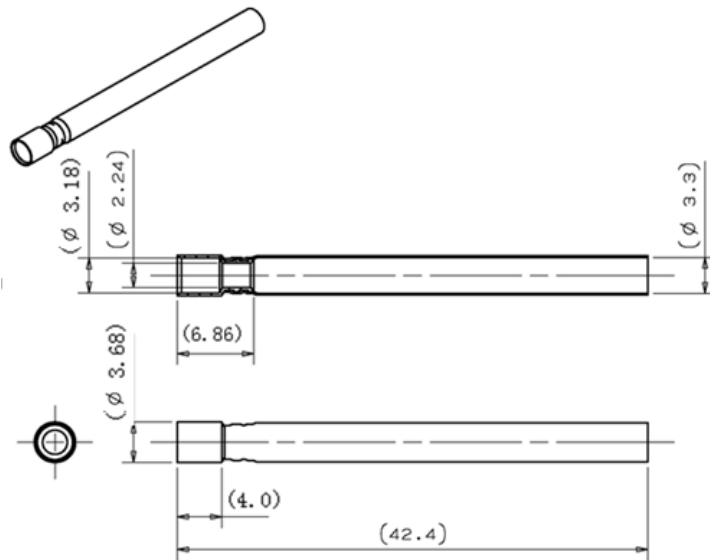
Manufacturer:

Seikoh Giken

Manufacturer Part Number:

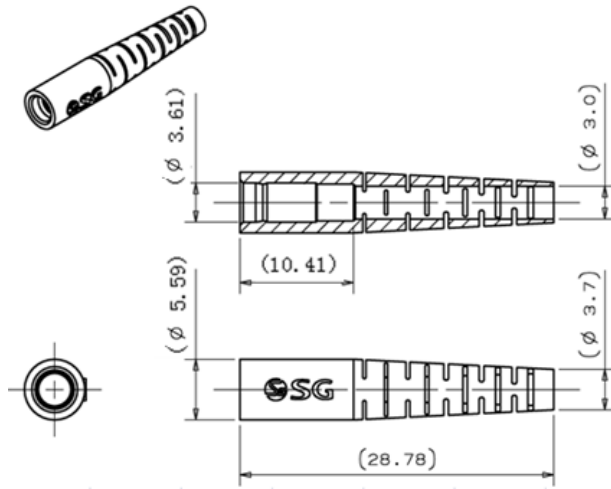
SLC-P1G-111251F304G • SLC-PN1G-811251F304G • SLC-PQ1G-311261F304G
 SLC-P2G-521251F305G • SLC-PN2G-821251F305G • SLC-PQ2G-C21261F305G3
 SLC-P1G-111261F304G • SLC-PN1G-811261F304G • SLC-P2G-521261F305G
 SLC-PN2G-821261F305G

QC-ZW-004-4
 GS-LC-Plug



Unit: mm

Figure 7 ©Crimping Ring



Unit: mm

Figure 8 ©Boot

Contact the professionals at Fiber Optic Center for a quote or to get more details.

focenter.com • 508-992-6464 | (800) 473-4237 • sales@focenter.com

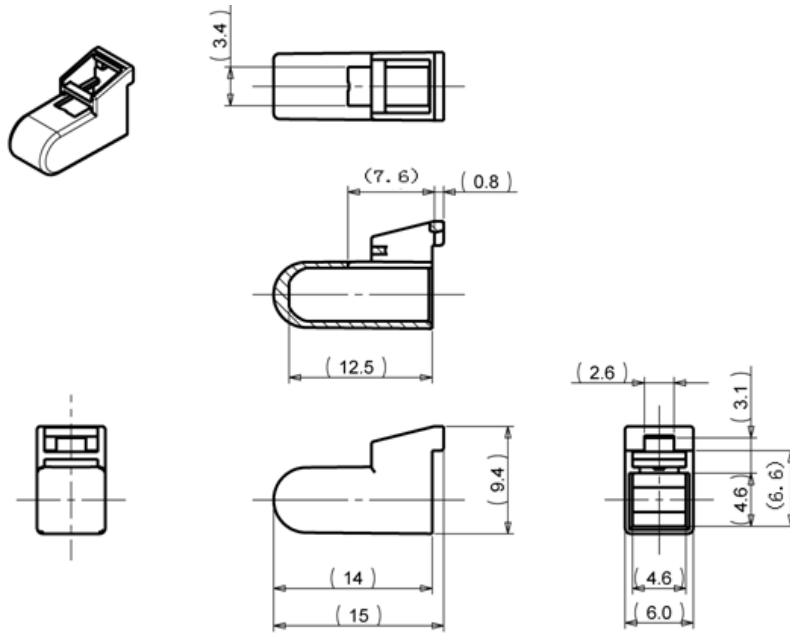
23 Centre Street • New Bedford, MA 02740 USA



Manufacturer:
Seikoh Giken

Manufacturer Part Number:
SLC-P1G-111251F304G • SLC-PN1G-811251F304G • SLC-PQ1G-311261F304G
SLC-P2G-521251F305G • SLC-PN2G-821251F305G • SLC-PQ2G-C21261F305G3
SLC-P1G-111261F304G • SLC-PN1G-811261F304G • SLC-P2G-521261F305G
SLC-PN2G-821261F305G

QC-ZW-004-4
GS-LC-Plug



Unit: mm

Figure 9 ©Cap (Dust Cap)

Contact the professionals at Fiber Optic Center for a quote or to get more details.

focenter.com • 508-992-6464 | (800) 473-4237 • sales@focenter.com

23 Centre Street • New Bedford, MA 02740 USA