



Manufacturer:
Microwave Photonic Systems

Product Name:
MPS-1900 Optical Cable Payout System

Manufacturer Part Number:
MPS-1900

>> Find Out More Details on the MPS-1900 Optical Cable Payout System <<

MPS-1900

Optical Cable Payout Reel - 1000'



Compatible with all standard connector types, including standard commercial connectors and circular Military multi-conductor connectors

The MPS-1900 Optical Cable Payout Reel is a rugged, reel-style, portable optical cable payout system that can be used whenever temporary optical connections are needed. This Optical Cable Payout Reel was originally designed for Military use when a temporary base camp is set up, so durability and ease of use were the main concerns. It is compatible with all standard connector types, including standard commercial connectors and circular Military multi-conductor connectors.

The cable payout reel is designed around a heavy-duty, polystyrene carrying spool that can quickly deploy multi-conductor high strength optical cable. Ballistic nylon sleeves protect the optical connectors while paying-out or retracting the cable, so you don't have to worry about damaging the connectors. There are two different ways to interface with the reel; A connector panel can be installed which connects to your device via standard jumper cables or a pigtail lead which is concealed under a Velcro attached panel. This reel can be ordered with your choice of cable and connectors for a true plug-n-play product.

Applications

- Network Restoration & Troubleshooting
- CATV Remote Site Connections
- OTDR Dead Zone Eliminator
- Military Tactical Links

Features

- Compact Size / Low Weight
- Deploys Singlemode, Multimode or Hybrid Cable
- Rugged / Field Deployable Design
- Integrated Connector Patch Panel (opt)

Additional Product Images



Contact the professionals at Fiber Optic Center for a quote or to get more details.

focenter.com • 508-992-6464 | (800) 473-4237 • sales@focenter.com

23 Centre Street • New Bedford, MA 02740 USA

Product specifications and data are subject to change without notice.



Manufacturer:
Microwave Photonic Systems

Product Name:
MPS-1900 Optical Cable Payout System

Manufacturer Part Number:
MPS-1900

>> Find Out More Details on the MPS-1900 Optical Cable Payout System <<

MPS-1900

Optical Cable Payout Reel - 1000'

Specifications

Insertion Loss

PC, UPC or APC: .30 dB typical, .50 dB max

Return Loss (Singlemode Only)

UPC: > 55 dB

APC: > 65 dB

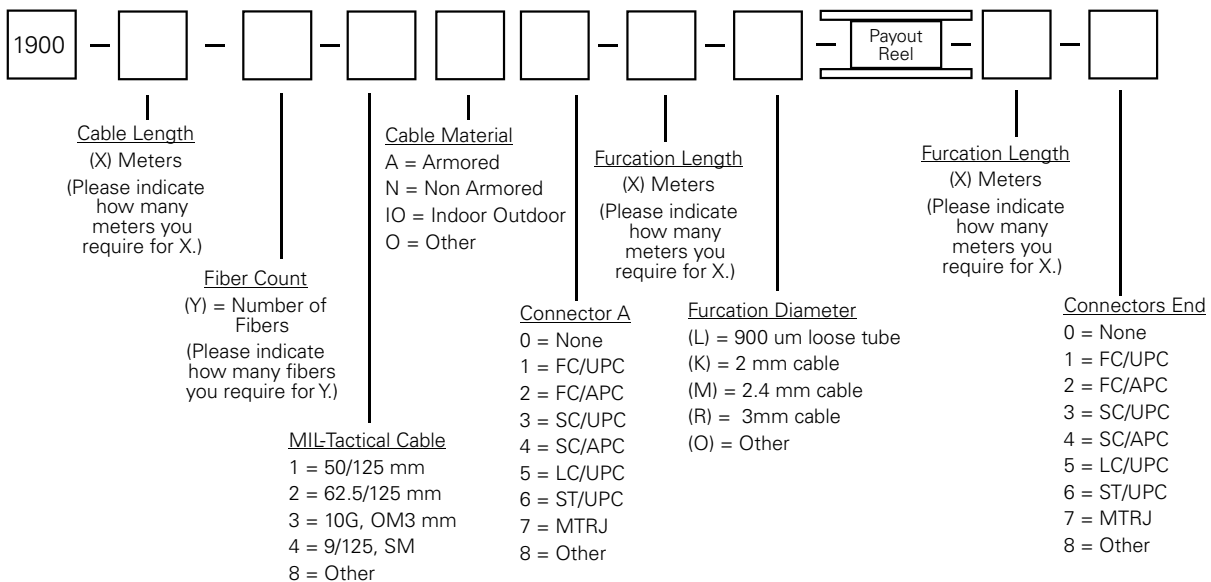
Endface Geometry

Fiber Height: -50 nm ≤ x ≤ 50 nm

Radius: 7 mm < R < 35 mm

Apex Offset: x < 50 μm

Part Number Generator



Contact the professionals at Fiber Optic Center for a quote or to get more details.

focenter.com • 508-992-6464 | (800) 473-4237 • sales@focenter.com

23 Centre Street • New Bedford, MA 02740 USA

Product specifications and data are subject to change without notice.