



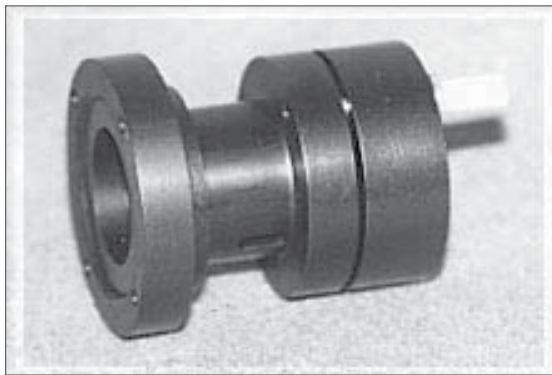
Manufacturer:
Romack
Product Name:
Romack Laser Coupler (20mm)
Manufacturer Part Number:
FO-CXYZ0031

>> Find Out More Details on the Romack Laser Coupler (20mm) <<

Product Data Sheet

Page 1 of 2

Laser / Fiber Couplers - FO-C Series



Features & Benefits

- Focuses a collimated laser beam onto a fiberoptic end face.
- Z axis and XYZ axis adjustments available
- Can be locked in position.
- Barrel mount, thread mount and flange mount options
- Couples up to 20 mm diameter beams.
- Fiber numerical apertures of .22 and higher
- Fiber diameters of 100 microns and larger
- UV, VIS and NIR wavelengths
- Laser to fiber coupling
- Medical
- Industrial
- Military
- Research
- Fiberoptic output collimating

RoMack's FO-C Series Laser/Fiber Couplers are rugged and functional devices that make the coupling of laser beams and other low divergence sources into fiberoptics easy.

The simplest version of these couplers allows for adjustment in the Z axis, or beam axis, only, such that the fiber face can be moved through the focal point. A nice feature of the coupler is that it can be locked in place once coupling has been optimized so it will not drift out of position.

These couplers are typically used in OEM, Industrial or Military applications once the details of the system have been worked out and mounting and dimensional tolerances have been accounted for.

The XYZ adjusting option allows for adjustment along the beam axis (Z axis) through the focal point, as well as fine adjustment in the plane perpendicular to the beam axis (the X and Y axis). The XYZ adjusting coupler also provides a locking screw so the unit can be set in a position once it has been optimized. These couplers are very useful in the laboratory or in the R&D environment where more freedom for adjustment is required.

All couplers are available with BK-7 or Silica optics and these can be AR coated if desired.

These couplers may be used in reverse, as fiberoptic output collimators. The degree of collimation will depend upon the fiber size and the fiber NA.

Contact the professionals at Fiber Optic Center for a quote or to get more details.

focenter.com • 508-992-6464 | (800) 473-4237 • sales@focenter.com

23 Centre Street • New Bedford, MA 02740 USA

Product specifications and data are subject to change without notice.



Manufacturer:
Romack

Product Name:
Romack Laser Coupler (20mm)

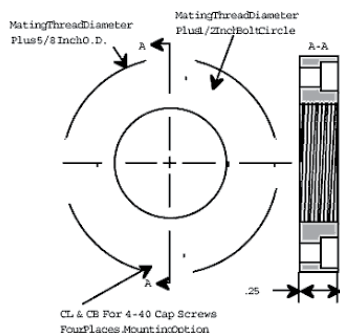
Manufacturer Part Number:
FO-CXYZ003

>> Find Out More Details on the Romack Laser Coupler (20mm) <<

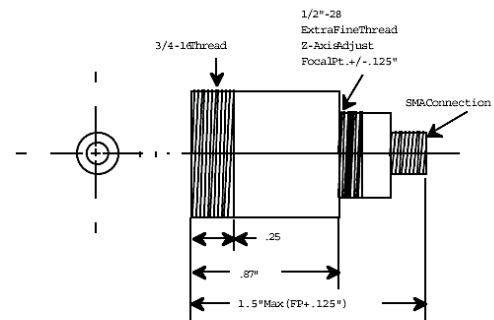
Product Data Sheet

Page 2 of 2

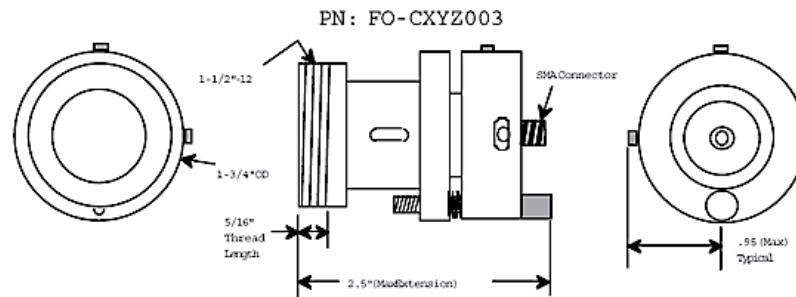
Ordering Information



PN: FO-CF001/3



PN: FO-CZ001



NOTES

- The optional mounting flange should be ordered specifying the mating thread depending upon which coupler is desired.
- Z axis adjustment is achieved on the CZ001 model by a threaded barrel and on the CXYZ003 via a thumb screw.
- X-Y adjustments are made through the action of allen wrench keyed thumb screws on the CXYZ003, and allows positioning any where within a 3mm circle about the axis.
- Z axis adjustment on both units is +/-3mm about the focal point.
- All units accept standard SMA connectors.
- CZ001 accepts beams up to 10mm in diameter and the CXYZ003 accepts beams up to 20mm in diameter.
- Both units accept fiber NAs up to .37.
- Load capacity of the CXYZ003: .25KG Top or Side; 1KG Push; 100g-300g Retract; 210g-cm Tilt; 105g-cm Twist

Contact the professionals at Fiber Optic Center for a quote or to get more details.

focenter.com • 508-992-6464 | (800) 473-4237 • sales@focenter.com

23 Centre Street • New Bedford, MA 02740 USA

Product specifications and data are subject to change without notice.